



4-245-531-01  
030113AMI-DS-SO

# Mini Hi-Fi Component System

## JAX-N5

**OPERATING INSTRUCTIONS**

**En** (English)

**INSTRUCCIONES DE MANEJO**

**E** (Español)



For assistance and information  
visit us on the internet at  
**[www.us.aiwa.com](http://www.us.aiwa.com)**  
call toll free 1-800-BUY-AIWA  
(United States only)

### Owner ' s Record

The model and serial numbers are located on the rear panel of the unit.  
Record the serial number in the space provided below. Refer to them  
whenever you call upon your Sony dealer regarding this product.

Model No.

Serial No.

## WARNING

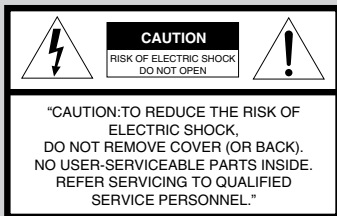
To prevent fire or shock hazard, do not expose the unit to rain or moisture.

To avoid electrical shock, do not open the cabinet. Refer servicing to qualified personnel only.

Do not install the appliance in a confined space, such as a bookcase or built-in cabinet.

To prevent fire, do not cover the ventilation of the apparatus with newspapers, table-cloths, curtains, etc. And don't place lighted candles on the apparatus.

To prevent fire or shock hazard, do not place objects filled with liquids, such as vases, on the apparatus.



This symbol is intended to alert the user to the presence of uninsulated "dangerous voltage" within the product's enclosure that may be of sufficient magnitude to constitute a risk of electric shock to persons.



This symbol is intended to alert the user to the presence of important operating and maintenance (servicing) instructions in the literature accompanying the appliance.

### CAUTION

The use of optical instruments with this product will increase eye hazard.



As an ENERGY STAR® Partner, Sony Corporation has determined that this product meets the ENERGY STAR® guidelines for energy efficiency.

## PRECAUTIONS

### WARNING

This equipment has been tested and found to comply with the limits for a Class B digital device, pursuant to Part 15 of the FCC Rules. These limits are designed to provide reasonable protection against harmful interference in a residential installation.

This equipment generates, uses, and can radiate radio frequency energy and, if not installed and used in accordance with the instructions, may cause harmful interference to radio communications. However, there is no guarantee that interference will not occur in a particular installation. If this equipment does cause harmful interference to radio or television reception, which can be determined by turning the equipment off and on, the user is encouraged to try to correct the interference by one or more of the following measures:

- Reorient or relocate the receiving antenna.
- Increase the separation between the equipment and receiver.
- Connect the equipment into an outlet on circuit different from that to which the receiver is connected.
- Consult the dealer or an experienced radio/TV technician for help.

### CAUTION

You are cautioned that any changes or modifications not expressly approved in this manual could void your authority to operate this equipment.

### Note to CATV system installer:

This reminder is provided to call the CATV system installer's attention to Article 820-40 of the NEC that provides guidelines for proper grounding and, in particular, specifies that the cable ground shall be connected to the grounding system of the building, as close to the point of cable entry as practical.

## On operating voltage

Before operating the system, check that the operating voltage of your system is identical with the voltage of your local power supply.

## On safety

- The unit is not disconnected from the AC power source (mains) as long as it is connected to the wall outlet, even if the unit itself has been turned off.
- Unplug the system from the wall outlet (mains) if it is not to be used for an extended period of time. To disconnect the cord (mains lead), pull it out by the plug. Never pull the cord itself.
- Should any solid object or liquid fall into the component, unplug the stereo system and have the component checked by qualified personnel before operating it any further.
- The AC power cord must be changed only at a qualified service shop.

## On placement

- Place the unit in a location with adequate ventilation to prevent heat build-up the unit.
- Do not place the unit in an inclined position.
- Do not place the unit in locations where it is;
  - Extremely hot or cold
  - Dusty or dirty
  - Very humid
  - Vibrating
  - Subject to direct sunlight.

## On heat buildup

- Although the unit heats up during operation, this is not malfunction.
- Place the unit in a location with adequate ventilation to prevent heat build-up in the unit.

If you continuously use this unit at a large volume, the cabinet temperature of the top, side and bottom rises considerable. To avoid burning yourself, do not touch the cabinet.

## On operation

- If the system is brought directly from a cold to a warm location, or is placed in a very damp room, moisture may condense on the lens inside the CD player. Should this occur, the system will not operate properly. Remove the CD and leave the system turned on for about an hour until the moisture evaporates.
- When you move the system, take out any discs.

## Notes on discs

- Discs recorded on CD-R/RW drives may not be played back because of scratches, dirt., recording condition or the drive's characteristics.
- CD-R/RW discs which are not finalized at the end of recording cannot be played back.
- Do not attach adhesive label, etc. to either side of a CD-R/RW disc, as doing so may cause malfunction.
- Do not load an unrecorded CD-R/RW disc. The disc may be damaged.
- Discs with non-standard shapes (e.g., heart, square, star) cannot be played on this unit. Attempting to do so may damage the unit. Do not use such discs.
- DVD, SACD, CD-ROM, VCD, and CD with MP3 files cannot be played on this unit.

## Music discs encoded with copyright protection technologies

This product is designed to playback discs that conform to the Compact Disc (CD) standard. Recently, various music discs encoded with copyright protection technologies are marketed by some record companies. Please be aware that among those discs, there are some that do not conform to the CD standard and may not be playable by this product.

If you have any questions or problems concerning your stereo system, please consult your nearest Aiwa dealer.

## TABLE OF CONTENTS

PRECAUTIONS .....	2
PREPARATIONS .....	4
PARTS AND CONTROLS .....	5
ADJUSTMENTS BEFORE OPERATIONS .....	8
CD OPERATIONS .....	10
TUNER OPERATIONS .....	12
TAPE OPERATIONS .....	14
SOUND ADJUSTMENTS .....	17
TIMER OPERATIONS .....	18
REFERENCE .....	20

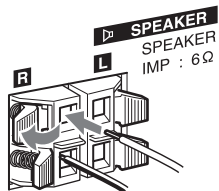
# PREPARATIONS

## Connection

Plug in the AC power cord to the AC power outlet after all other connections are made.

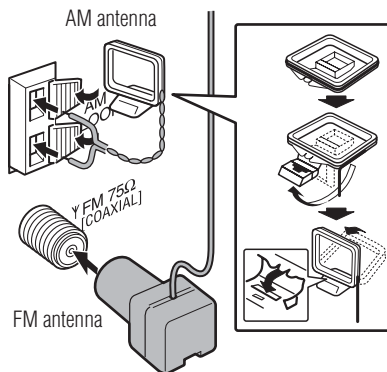
### 1 Connect the front speakers.

Connect the right front speaker (marked with "R") to the SPEAKERS R terminals and place it on the right side of the unit. Connect the left (marked with "L") to the SPEAKERS L terminals and place it on the left side. The speaker cords with the black stripes go to the  $\ominus$  terminals.



### 2 Connect the supplied antennas.

Connect the FM antenna to the  $\Upsilon$  FM 75  $\Omega$  terminal and the AM antenna to the AM LOOP terminals.



### 3 Connect the AC power cord to a wall outlet.

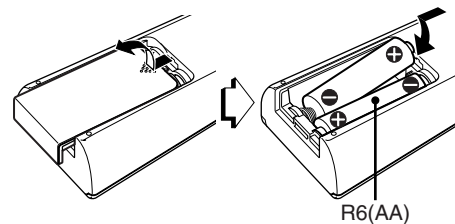
When the AC power cord is connected to a wall outlet for the first time, DEMO appears in the display.

To deactivate the DEMO, press  $\blacktriangleright$  ( $\blacktriangleright/\blacktriangleleft$  on the remote).

- Do not short-circuit the  $\oplus$  and  $\ominus$  speaker cord leads.
- Do not leave objects generating magnetism or objects affected by magnetism near the speakers.

## Remote

Detach the battery compartment lid at the rear of the remote and insert two R6 (size AA) batteries with correct polarity.

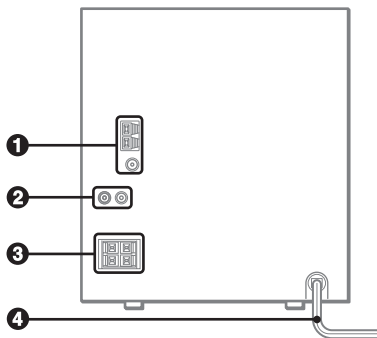


- Replace the batteries with new ones when the operational distance between the remote and main unit becomes shorter.
- Remove the batteries if the unit is not going to be used for an extended period of time.
- The remote may not operate if it is used under intense sunlight, etc., or if its line of sight is obstructed.

# PARTS AND CONTROLS

## Main unit: rear

Refer to the pages indicated in parentheses for details.



### ❶ AM LOOP, Ψ FM 75 Ω terminals (4)

Plug in the supplied AM and FM antennas here.

### ❷ VIDEO/AUX jacks

Accepts analog sound signals from external equipment. Connect using an optional connecting cable with RCA phono plugs (red plug to R jack, white plug to L jack). Refer also to the operating instructions of your equipment. To switch function to external input, press VIDEO/AUX.

#### *Tip:*

To change the displayed name for this function, turn the unit on, then hold down VIDEO/AUX and press POWER on the unit. Repeat the procedure to select "VIDEO", "AUX" or "TV".

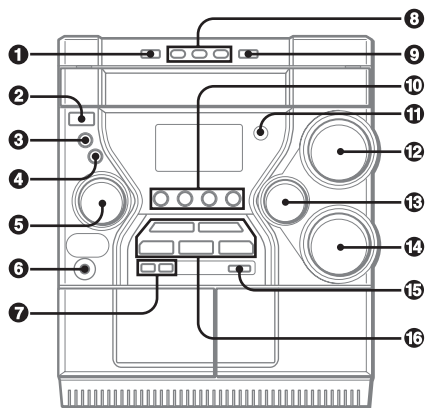
### ❸ SPEAKER terminals (4)

Connect the speaker cord of the supplied front speakers here.

### ❹ AC power cord (4)

## Main unit: front

Refer to the pages indicated in parentheses for details.



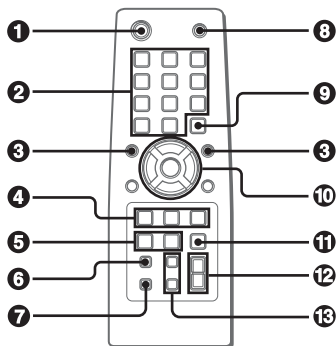
- 1 DISC CHANGE (10)**  
Rotates the CD trays.
- 2 POWER  $\odot$ STANDBY/ON (8)**  
Switches the unit on and off (standby).  
The red indicator flashes when receiving a signal from the remote.
- 3 MODE (8-11, 17)**  
Selects various modes (ECO and Repeat/Shuffle/Programed playback, etc.) when used in combination with ENTER and MULTI JOG.
- 4 ENTER (8-12, 17-19)**  
Fixes the modes and the time (ECO, Repeat/Shuffle/Programed playback, clock, and timer, etc.) when used in combination with ENTER and MULTI JOG.

- 5 MULTI JOG (8-12, 14-19)**  
When used in combination with ENTER and MULTI JOG, CD: selects a track and Repeat/Shuffle/Programed playback.  
Tuner: selects a preset station.  
Tape: specifies tape length.  
Clock and Timer: sets the time.  
i-Bass: selects a frequency range.  
Spectrum analyzer, ECO and Dimmer: selects the mode.
- 6 PHONES jack**  
Plug in here an optional headphones set with a mini stereo plug ( $\varnothing 3.5$  mm). Speaker output is canceled.
- 7 SYNC DUB (15)**  
Starts dubbing a whole tape.
  - **REC/REC MUTING (14, 15)**  
Starts recording.
- 8 DISC DIRECT PLAY 1-3 (10)**  
Selects a disc.
- 9  $\triangle$  OPEN/CLOSE (10)**  
Opens or closes the disc compartment.
- 10 TAPE A/B (14)**  
Selects Tape function, and deck A or B.  
**TUNER/BAND (12)**  
Selects Tuner function and the radio band.  
**VIDEO/AUX (5)**  
Selects the function of external equipment connected to VIDEO/AUX jacks.  
**CD (10)**  
Selects CD function.

- 11 Remote sensor**  
Receives a signal from the remote.
- 12 VOLUME (8)**  
Adjusts the volume.
- 13 TREBLE (17)**  
Enhances high frequency sound.
- 14 BASS (17)**  
Emphasizes low frequency sound.
- 15 i-Bass (17)**  
Produces rich and clear low frequency sound.
- 16  $\blacktriangleright$ PLAY/PRESET (8, 10, 12, 14)**  
When the unit is turned off: activates or deactivates DEMO.  
CD and Tape: starts playback.  
Tuner: tunes into a preset station.
  - **STOP/CLEAR (10, 12, 14)**  
CD and Tape: stops playback.  
Tuner: clears a station preset.
  - $\blacktriangleleft\blacktriangleleft$ TUNING DOWN,  $\blacktriangleright\blacktriangleright$ TUNING UP (10, 12, 14)**  
CD: searches a track in fast forward or fast reverse playback when held down.  
Tape: fast forwards or rewinds the tape.  
Tuner: manually tunes down or up within the band.
  - **II PAUSE/SET (10, 12, 14)**  
CD and Tape: pauses playback.  
Tuner: stores the received station in to preset.

## Remote control

Refer to the pages indicated in parentheses for details.



Buttons with the same or similar names with the main unit basically have the same function.

### 1 POWER (8)

### 2 1-0/10, +10 (10-12)

CD: selects a CD track of the specified number.  
Tuner: tunes in to the station with the specified preset number.

The numbered buttons take on these functions below when pressed together with **SHIFT** held down:

### EDIT (15, 16)

Enters AI Edit Recording or Programed Edit Recording mode when pressed in stop mode.

### BAND (12)

Selects Tuner function and the radio band.

### TAPE A/B (14)

### SPECTRUM (8)

Changes the spectrum analyzer display.

### TUNER MODE (13)

Switches between stereo or monaural FM reception.

### 3 ◀◀, ▶▶ (9-12, 15-19)

CD: selects a track.  
Tuner: selects a preset station.  
Tape: specifies tape length.  
BASS and TREBLE: adjusts the level.  
Clock and Timer: sets the time.

### 4 PLAY MODE (11)

Selects Shuffle or Programed playback in CD function.

### REPEAT (10)

Enters CD repeat playback mode.

### ENTER (8-12, 17-19)

### 5 CLOCK/TIMER/SET (18, 19)

Enters timer setting mode.

### CLOCK/TIMER/SELECT (18, 19)

Selects timer playback, timer recording or timer off.

### 6 DISPLAY (9, 10)

Displays the time and the remaining time for CD.

### 7 SHIFT

Hold down when pressing a numbered button to change its function to that printed above the number.  
e.g.)  
"Press **SHIFT+BAND** on the remote" indicates "Hold down **SHIFT** and press '2' (**BAND**)". Doing so makes you be able to select Tuner function and the radio band.

### 8 FUNCTION

Switches the active function among CD, TAPE, TUNER and VIDEO (AUX or TV).

### 9 DISC SKIP (10)

Select a disc.

### 10 ▶/◀▶ (8, 10, 14)

When the unit is turned off: activates or deactivates DEMO.  
CD and Tape: starts playback.

### ■ (10, 14)

CD and Tape: stops playback.

### ◀◀, ▶▶ (10, 12, 14)

CD: searches a track in fast forward or fast reverse playback when held down.  
Tape: fast forwards or rewinds the tape.  
Tuner: manually tunes down or up within the band.

### || (10, 14)

CD and Tape: pauses playback.

### 11 SLEEP (18)

Switches the sleep-timer on/off and selects the duration.

### 12 VOLUME (+, -) (8)

Adjusts the volume.

### 13 SOUND (17)

Selects BASS or TREBLE setting mode.

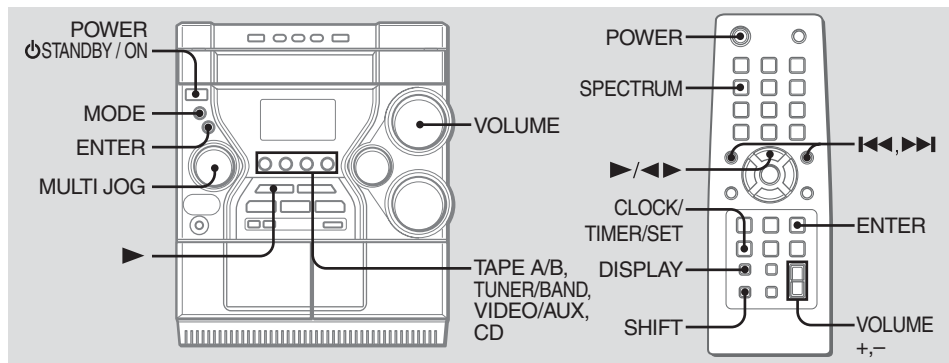
### CLEAR (11, 12)

Clears a track of the CD programed playback and a Radio preset station.

### Note

The buttons not explained above (**ALBUM** ^, v and **KARAOKE**) do not operate for this unit.

# ADJUSTMENTS BEFORE OPERATIONS



En

## Power

### Turning the unit on

Press POWER STANDBY/ON (POWER on the remote). Pressing TAPE A/B, TUNER/BAND, VIDEO/AUX or CD also turns the unit on (Direct Play Function.) When a disc or tape is inserted, the playback will start automatically.

### Turning the unit off

Press POWER STANDBY/ON again. The unit goes into standby.

## Volume

Turn VOLUME (Press VOLUME , on the remote). Adjust from 0 (minimum) to 30 and MAX (maximum).

### Tip:

Volume level setting is retained during power-off standby: If the unit is turned off with the volume set to 17 or more, it is automatically set to 16 the next time the unit is turned on.

## DEMO

You can enjoy DEMO in the display when the unit is turned off.

### To activate or deactivate the DEMO

Press ( / on the remote) when the unit is turned off.

## Spectrum analyzer display

You can change the spectrum analyzer display.

- 1 Press MODE repeatedly until "SPECTRUM?" appears in the display when the unit is turned on and then press ENTER.
- 2 Turn MULTI JOG to select one of the three spectrum analyzer displays (PATTERN 1, 2 and 3). If there is no MULTI JOG or button operation within 6 seconds, the setting is canceled.

On the remote, press SHIFT+SPECTRUM repeatedly.



## ECO mode

*Saves the power consumption while the unit is turned off (in standby mode).*

- 1 Press MODE repeatedly until "ECO MODE?" appears in the display and then press ENTER.
- 2 Turn MULTI JOG to select "ECO ON" and then press ENTER.  
In the ECO ON mode, the unit blacks out when the unit is turned off. Only the red indicator on POWER button lights up.

If there is no MULTI JOG or button operation within 6 seconds, the setting is canceled.

### To cancel the ECO mode

Repeat the above and select "ECO OFF" in step 2.

## Dimmer

*Adjusts the brightness of the display.*

- 1 Press MODE repeatedly until "DIMMER ?" appears in the display when the unit is turned on and then press ENTER.
- 2 Turn MULTI JOG to select one of the three dimmer modes or "OFF" and then press ENTER.  
"OFF" is the brightest and "DIMMER 3" is the dimmest. In DIMMER 3 mode, the spectrum analyzer display does not appear.  
If there is no MULTI JOG or button operation within 6 seconds, the setting is canceled.

### To cancel the dimmer

Repeat the above and select "OFF" in step 2.

## Setting the clock

Use the remote.

- 1 Press CLOCK/TIMER/SET.  
Go to step 3 when the time appears and the 'hour' flashes.
- 2 Press ◀◀ or ▶▶ repeatedly until "CLOCK SET" appears in the display and then press ENTER.
- 3 Press ◀◀ or ▶▶ repeatedly to set the hour and then press ENTER.
- 4 Press ◀◀ or ▶▶ repeatedly to set the minute and then press ENTER.

The time display stops flashing and the clock starts from 00 seconds.

- MULTI JOG is also available in place of ◀◀ or ▶▶.

### To display the time

Press DISPLAY on the remote. The time will be displayed for 6 seconds.

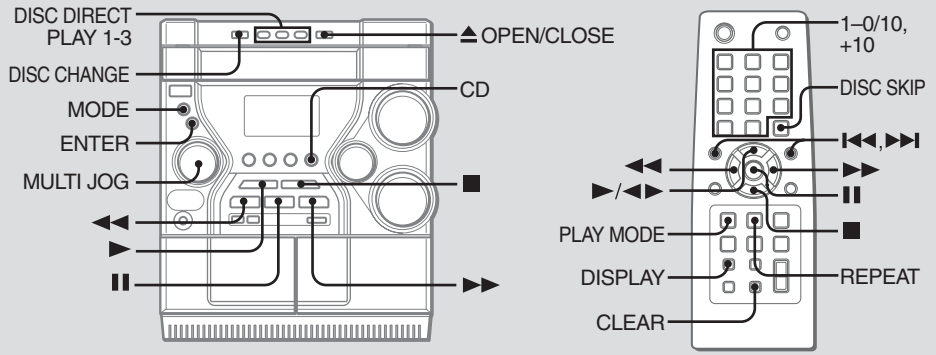
### Tip:

"AM 12:00" indicates midnight and "PM 12:00" noon.

### If "-: -" appears when the unit is turned off

There has been a power interruption. Re-set the clock.

# CD OPERATIONS



En

This unit plays back finalized CD-R/RW discs as well as audio CDs.

## Playback

### 1 Press CD and load disc(s).

Press **▲ OPEN/CLOSE** to open the disc compartment and place one or two disc(s) with the labelled side up.

To place three discs, press **DISC CHANGE** so that the trays rotate, then place the third one. Lastly, close the compartment with **▲ OPEN/CLOSE**.

- When loading an 8-cm (3-inch) disc, place it on the inner circle of the tray.

### 2 To play all discs, press **▶ (▶/◀▶)** on the remote, then "ALL DISCS" lights up in the display

To play one desired disc, press **DISC DIRECT PLAY 1-3**, then "1 DISC" lights up in the display

A playing disc indicator flashes in the display.

### To stop playback

Press **■**.

### To pause playback

Press **⏸**. Press again to resume playback.

### To select a track

Turn **MULTI JOG** or press **⏮** or **⏭** on the remote repeatedly.

With the numbered buttons on the remote,

- To select track 10, press 0/10.
- To select track 20, press +10, +10 and 0/10.
- To select track 25, press +10, +10 and 5.

### To search (playback in fast forward or fast reverse)

Hold down **⏮** or **⏭**. Release at the desired point.

### To select a disc

Press **DISC DIRECT PLAY 1-3** or **DISC SKIP** on the remote.

### To display the remaining time of the track or the disc

Press **DISPLAY** on the remote repeatedly during playback.

The display changes cyclically as follows:

- Track number and elapsed playing time of the current track
- Track number and remaining time of the current track
- Remaining time of the current disc
- Clock display (for 6 seconds)

## To replace disc(s) during playback without interruption

While one disc is being played back, press **DISC CHANGE** so that the compartment opens, replace disc(s) with other one(s), and press **DISC CHANGE** to close the compartment.

## Repeat playback

Plays all the tracks or one track on the discs repeatedly.

### 1 Press **MODE** repeatedly until "REPEAT?" appears in the display and then press **ENTER**.

### 2 Turn **MULTI JOG** to select one of the two repeat modes as below or "REPEAT OFF", and then press **ENTER**.

- "REPEAT ALL":

For all the tracks on one desired disc or all discs up to 5 times. "⏮" lights up.

- "REPEAT 1":

For a single track only. "⏮1" lights up.

If there is no **MULTI JOG** or button operation within 6 seconds, the setting is canceled.

### 3 To play one desired disc, press **DISC DIRECT PLAY 1-3**.

To play all discs, press **▶ (▶/◀▶)** on the remote).

On the remote, press **REPEAT** repeatedly until "⏮" or "⏮1" appears and carry out step 3.

### To cancel repeat playback

Carry out step 1 and 2, and select "REPEAT OFF" in step 2. On the remote, press **REPEAT** repeatedly until "⏮" and "⏮1" disappear.

## Shuffle playback

Plays the tracks on one desired disc or all discs in random order.

- 1 Press MODE repeatedly until "PLAY MODE?" appears in the display in stop mode and then press ENTER.
- 2 Turn MULTI JOG to select "SHUFFLE" and then press ENTER.  
"SHUF" lights up.  
If there is no MULTI JOG or button operation within 6 seconds, the setting is canceled.
- 3 To play one desired disc, press DISC DIRECT PLAY 1-3.  
To play all discs, press ► (►/◄► on the remote).

On the remote, press PLAY MODE repeatedly until "SHUF" lights up and carry out step 3.

### To cancel shuffle playback

Carry out step 1 and 2, and select "CONTINUE" in step 2. On the remote, press PLAY MODE repeatedly until "SHUF" and "PGM" disappear.

## Programed playback

Plays back up to 30 selected tracks in programed order.

- 1 Press MODE repeatedly until "PLAY MODE?" appears in the display in stop mode and then press ENTER.
- 2 Turn MULTI JOG to select "PROGRAM" and then press ENTER.  
"PGM" lights up.  
If there is no MULTI JOG or button operation within 6 seconds, the setting is canceled.
- 3 Press DISC DIRECT PLAY 1-3 to select a disc. Go to the next step when the tray stops rotating.  
On the remote, press DISC SKIP.
- 4 Turn MULTI JOG to select a track and then press ENTER.  
The selected track number and the program number appear in the display.  
On the remote, press ◀◀ or ▶▶ and then press ENTER or press the numbered buttons:  
-To select the 10th track, press 0/10.  
-To select the 20th track, press +10, +10 and 0/10.  
-To select the 25th track, press +10, +10 and 5.
- 5 Repeat step 3 and 4 to program other tracks.
- 6 Press ► (►/◄► on the remote).

On the remote, press PLAY MODE repeatedly until "PGM" lights up and carry out step 3 to 6.

- During programed playback, you cannot select a disc or a track with the numbered buttons.
- If the total playback time of the program exceeds 99:59 minutes, or if a track with a track number exceeding 30 is programed, the playing time is displayed as "- :- -".

- You cannot program more than 30 tracks. "FULL" is displayed.

### To clear a track

Press CLEAR on the remote in stop mode. A track is cleared from the end of the program.

### To clear the entire program

Press ■ in stop mode.

### To add tracks to the program

Repeat step 2 and 3 before starting playback. The tracks are added to the end of the program.

### To cancel programed playback

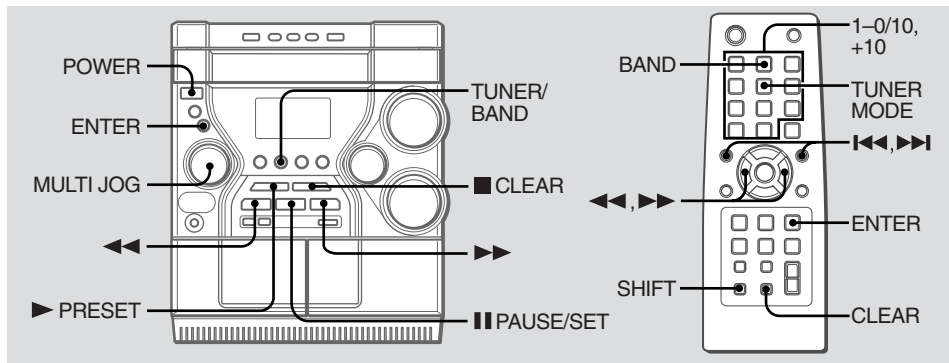
Carry out step 1 and 2, and select "CONTINUE" in step 2. On the remote, press PLAY MODE repeatedly until "PGM" and "SHUF" disappear.

- The program contents are retained even if the program is canceled or after programed playback finishes. The same program plays back if you carry out step 1, 2 and 6.

### Notes on CDs

- Do not place more than one disc on one tray.
- Do not tilt the unit with discs loaded.

# TUNER OPERATIONS



En

## Manual tuning

- 1 Press TUNER/BAND (SHIFT+BAND on the remote) repeatedly to select a band (FM or AM).
- 2 Press ◀◀ or ▶▶ to tune in to a station.  
"TUNE" appears when a station is tuned in.  
"(FM)" lights up for FM stereo reception.

### To search for a station automatically (Auto Search)

Hold down ◀◀ or ▶▶.

The unit searches for a station up or down the band and stops at reception.

To stop the search manually, press ◀◀ or ▶▶.

- Auto Search may not stop at stations with weak signals.

## Preset tuning

*Preset your favorite stations and tune them in directly.*

### Presetting stations

- 1 Press TUNER/BAND to select a band.
  - 2 Press ◀◀ or ▶▶ to tune in to the desired station.
  - 3 Press ENTER (or || PAUSE/SET on the unit) to store the station.  
The preset number, beginning from "1", appears in the display.
  - 4 Repeat step 1 to 3 to preset other stations.
- You cannot store more than a total of 32 preset stations.  
"FULL" appears.

## Tuning in to preset stations

### On the unit

- 1 Press TUNER/BAND to select a band.
- 2 Press ▶ PRESET repeatedly or turn MULTI JOG.  
With each press, the station with the succeeding preset number is tuned in.

### On the remote

- 1 Press SHIFT+BAND to select a band.
  - 2 Press the numbered buttons for the preset number of your desired station.
    - To select preset number 10, press 0/10.
    - To select preset number 15, press +10 and 5.
    - To select preset number 20, press +10, +10 and 0/10.
- Pressing ◀◀ or ▶▶ repeatedly can also select the preset number.

### To clear a preset station

- 1 Tune in to the station by preset tuning.
- 2 Press ■ CLEAR on the unit (CLEAR on the remote), then press ENTER within 6 seconds.  
Preset numbers of preset stations in the band with higher numbers decrease by one.

## Adjustments

### Antennas

Keep antennas away from metallic objects, electrical equipment and cords.

**FM antenna:** Extend fully and position for the best reception.

If receiving condition is poor, connect optional outdoor antenna to  $\Upsilon$  FM 75  $\Omega$  terminal. Use an adapter as required.

**AM antenna:** Rotate to find best reception.

### To switch to monaural FM reception

Press SHIFT+TUNER MODE on the remote. With each press, "MONO" and "STEREO" appear alternately in the display.

#### **Tip:**

When FM stereo reception is poor, switching to monaural reduces noise.

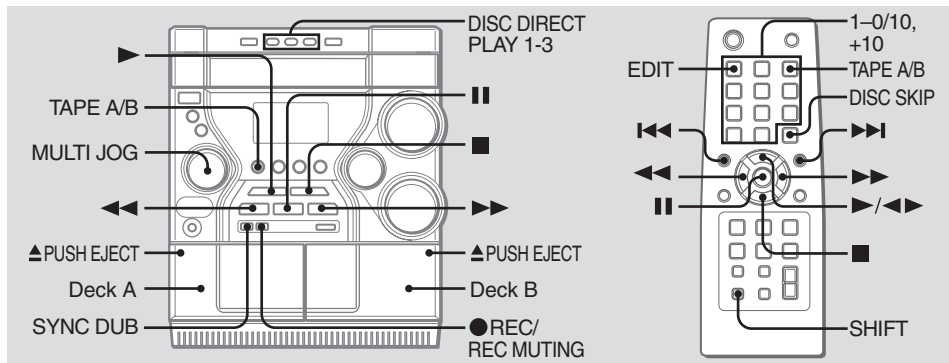
### To switch the AM tuning interval

Hold down TUNER/BAND and press POWER on the unit. With each press, the AM tuning interval alternates between 9 kHz/step and 10 kHz/step.

#### **Tip:**

The default is 10 kHz/step. Change it only when using the unit in a 9 kHz/step area. Switching AM tuning interval clears all the preset stations.

# TAPE OPERATIONS



## Notes on cassettes

- Use of a tape longer than 90 minutes is not recommended since they are extremely thin and easily damaged. If you should use it, do not change the tape operations such as play and stop frequently.
- Take up any slack in the tape with a pencil or similar tool before use. Slack tape may get entangled in the deck mechanism and become damaged.

## Basic recording

Use only TYPE I (normal) tapes. Deck B is the recording deck. Only one side of the tape can be recorded at a time.

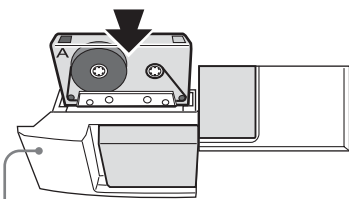
- 1 Insert the recordable tape in deck B.  
Press ▲PUSH EJECT to open the cassette holder, and insert with the exposed side down and the side to be recorded on facing out from the unit. Wind up the tape to the desired point if needed.
  - 2 Prepare the source.  
To record CD(s), select the CD function and load disc(s).  
To record a radio program, tune in to the desired station.  
To record a tape, insert the source tape in deck A and select the TAPE (deck A) function.  
To record from connected external equipment, select the VIDEO/AUX function and prepare the equipment.
  - 3 Press ●REC/REC MUTING to start recording.  
When recording a CD or tape, playback starts automatically.  
When recording input from connected equipment, manually start playback of the source.
- Volume or tone adjustment does not affect recording.
  - "NO TAB" is displayed if you attempt to record a tape with the tab broken off.

En

## Playback

Use only TYPE I (normal) tapes.

- 1 Press TAPE A/B (SHIFT+TAPE A/B on the remote) and insert the tape in either deck.  
Press ▲PUSH EJECT to open the cassette holder, and insert with the exposed side down and playback side facing out from the unit. Push ▲PUSH EJECT to close.



▲PUSH EJECT

- 2 Press ►(►/◄► on the remote).

### To stop playback

Press ■.

### To pause playback (deck B only)

Press ■■. Press again to resume.

### To fast forward or rewind

Press ◄◄ or ►►.

### To select a deck (deck A or deck B)

Press TAPE A/B (SHIFT+TAPE A/B on the remote) in stop mode when tapes are loaded in both decks.

"TP R" (deck A) or "TP B" (deck B) is displayed.

### To reset the tape counter

Press ■ in stop mode, and the tape counter in the display is reset to "0000". Opening and closing the cassette holder will also reset the tape counter.

### To play continuously (deck A to deck B)

Load tapes in both decks and start playback on deck A. Then, as soon as playback on deck A finishes, playback on deck B will start without interruption.

- The both decks play one side of the tapes.

### To stop recording

Press ■.

### To pause recording (only for TUNER or VIDEO/AUX source)

Press ■■. Press again to resume.

### To record a selected set of tracks from a CD

Program the desired tracks (see "Programed playback") and then press ●REC/REC MUTING.

### To record a 4-second blank space (only for TUNER or VIDEO/AUX source)

1 Press ●REC/REC MUTING during recording or in recording pause mode.

"REC MUTING" flashes in the display for 4 seconds (a blank space is made in the meantime) and then the unit enters recording pause mode.

To record less than a 4-second blank space, press ●REC/REC MUTING again while "REC MUTING" flashes. Recording resumes so that do not carry out step 2 below.

To record more than a 4-second blank space, press ●REC/REC MUTING again after the unit enters recording pause mode. Each time the button is pressed, a 4-second blank space is added.

2 Press ■■ to resume recording.

### To erase a tape

1 Insert the tape in deck B. Set the tape to the desired point if needed.

2 Press TAPE A/B to select "TP B".

3 Press ●REC/REC MUTING.

## Whole tape dubbing

1 Press TAPE A/B to select the TAPE function.

2 Insert the original tape in deck A and the recordable tape in deck B.

3 Press SYNC DUB.

The tapes are rewound to the beginning of the front side and recording starts.

- Dubbing cannot start from a point halfway in the tape.

- Only one side of the tape can be recorded at a time.

### To stop dubbing

Press ■.

## Edited CD recording

### AI Edit Recording

*When recording a whole CD, AI Edit Recording takes the length of your tape into account and rearranges the recording order of the tracks if necessary, so that no track is cut short at the end of the side. Prepare a tape long enough to record the CD.*

1 Insert the recordable tape in deck B.

2 Select the CD function and load disc(s).

3 Press SHIFT+EDIT once on the remote. "AI C-00" appears.

4 Press DISC DIRECT PLAY 1-3 to select a disc.

- DISC SKIP on the remote can also be used to select a disc.

5 Press the numbered buttons on the remote to enter the length of the recordable tape.

10 to 99 minutes can be specified.

- For a 60-minute tape press 6 and 0/10.

In a few seconds, the unit determines the tracks to be recorded for each side.

The recording time left for side A appears in the display.

- ◀◀ or ▶▶ on the remote or MULTI JOG can also be used to specify tape length.

6 Press ●REC/REC MUTING to start recording on side A.

The tape is rewound to the beginning of side A and recording starts.

Go to the next step when recording on side A finishes.

7 Press SHIFT+EDIT on the remote.

The recording time left for side B appears in the display.

8 Turn over the tape and press ●REC/REC MUTING to start recording on side B.

- AI Edit Recording cannot be used with discs with more than 30 tracks. "TR OVER" appears.

- Recording cannot start from a point halfway in the tape.

## Programed Edit Recording

As you program the CD tracks to record, Programed Edit Recording displays the remaining recording time for each side of the tape, so you can easily select a set of desired tracks within the length of your tape.

- 1 Insert the recordable tape in deck B.
- 2 Select the CD function and load disc(s).
- 3 Press SHIFT+EDIT **twice** on the remote.  
"PRGM C-00" is displayed and "PGM" lights up.
- 4 Press the numbered buttons on the remote to enter the length of the recordable tape.  
10 to 99 minutes can be specified.
  - **⏮** or **⏭** on the remote or MULTI JOG can also be used to specify tape length.
- 5 Press DISC DIRECT PLAY 1-3 to select a disc.  
Then, press the numbered buttons on the remote to select the first track to be recorded on side A.
  - To select the 10th track, press 0/10.
  - To select the 20th track, press +10, +10 and 0/10.
  - To select the 25th track, press +10, +10 and 5.
  - DISC SKIP on the remote can also be used to select a disc.
- 6 Repeat step 5 to select the rest of the tracks for side A.  
The remaining recording time of side A is displayed. You cannot select a track with a longer playing time.
- 7 Press SHIFT+EDIT on the remote to switch to side B and select the tracks for the side.
- 8 Press SHIFT+EDIT on the remote to switch back to side A.

- 9 Press **●** REC/REC MUTING to start recording on side A.

The tape is rewound to the beginning of side A and recording starts.

Go to the next step when recording on side A finishes.

- 10 Press SHIFT+EDIT on the remote to switch to side B.

- 11 Turn over the tape, and press **●** REC/REC MUTING to start recording on side B.

- You cannot program more than 30 tracks. "FULL" is displayed.
- You cannot program a track with a track number larger than 30.
- Recording cannot start from a point halfway in the tape.

### To stop recording

Press **■**. Recording and CD playback stop simultaneously.

### To check the program

- 1 Before recording, press SHIFT+EDIT on the remote to select side A or B.
- 2 Press **⏮** or **⏭** on the remote repeatedly or turn MULTI JOG. The track number and program number are displayed in succession.

### To change the program of each side

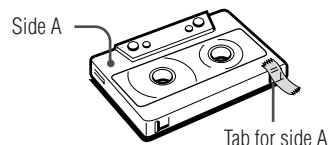
Press SHIFT+ EDIT on the remote to select side A or B, and press **■** to clear the program for the selected side. Then, select tracks again.

### To clear the edit program

Press **■** twice in stop mode.

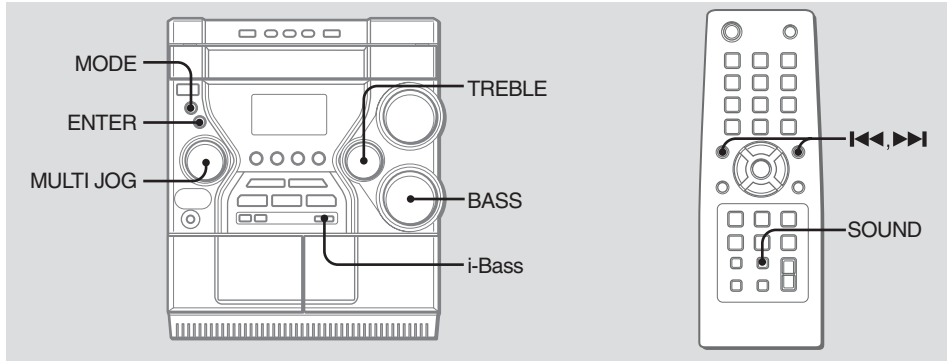
### To prevent accidental erasure

Remove the plastic tab of the cassette tape with a screwdriver or other pointed tool. To record on the tape again, cover the detection slot with adhesive tape.





# SOUND ADJUSTMENTS



## BASS

*Emphasizes low frequencies for a powerful sound.*

Turn BASS to adjust from 0 to 5.

On the remote, press SOUND repeatedly until "BASS" appears in the display and then press ◀◀ or ▶▶ repeatedly within 6 seconds.

- When the sound becomes distorted with the BASS effect, cancel it.

## TREBLE

*Enhances high frequency for sound clarity .*

Turn TREBLE to adjust from 0 to 5.

On the remote, press SOUND repeatedly until "TREBLE" appears in the display and then press ◀◀ or ▶▶ repeatedly within 6 seconds.

- When the sound becomes distorted with the TREBLE effect, cancel it.

## i-Bass

*Produces rich and clear low frequency sound besides BASS effect.*

**1** Press i-Bass to select "I-BASS ON".

The red indicator on i-Bass button lights up.

**2** Turn BASS to adjust from 1 to MAX(5).

### To select the frequency range for i-Bass effect

**1** Press i-Bass to select "I-BASS ON".

**2** Press MODE repeatedly until "IBAS FREQ?" appears in the display and then press ENTER.

**3** Turn MULTI JOG to select one of the three frequency ranges (FREQ 1, 2 and 3).

- FREQ 1: Low range
- FREQ 2: Middle range
- FREQ 3: High range

After step 3, adjust the i-Bass level by turning BASS if needed.

If there is no MULTI JOG or button operation within 6 seconds, the setting is canceled.

### To cancel i-Bass

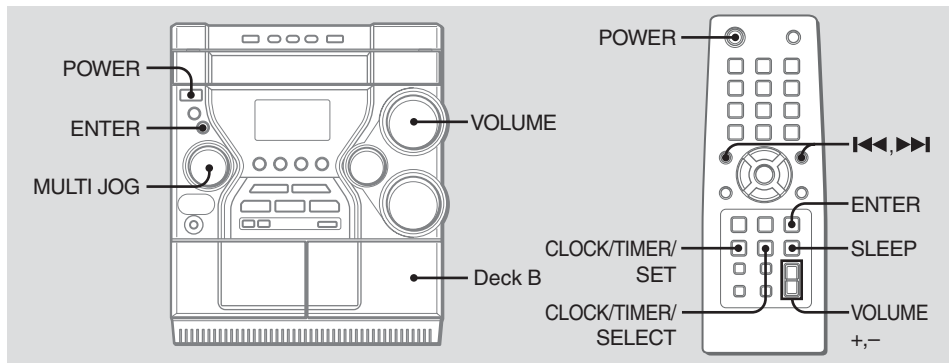
Press i-Bass to select "I-BASS OFF".

### Note

When "I-BASS ON" is selected, BASS is deactivated; therefore, you cannot select "BASS" with SOUND on the remote. To activate BASS, cancel i-Bass.

En

# TIMER OPERATIONS



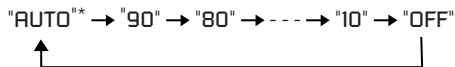
- 5 Press **◀◀** or **▶▶** to set the timer-on minute and then press ENTER.  
"OFF TIME" appears for a moment.
- 6 Repeat step 4 and 5 to set the timer-off hour and minute.
- 7 Press **◀◀** or **▶▶** to select the source (CD, TAPE and TUNER) and then press ENTER.  
The timer-on time, the timer-off time and source are displayed.
- 8 Press POWER to turn the unit off.  
The unit turns on at the specified timer-on time and plays the selected source and then turns off at the specified timer-off time.

En

## Sleep timer

*Turns off the unit automatically after a specified time.*

Press SLEEP on the remote repeatedly. With each press, the timer duration changes cyclically as follows:



The unit turns off after the selected time.

\* "AUTO": The unit turns off when the current CD or tape finishes the playback (for up to 100 minutes).

### Tip:

The display is dimmed while the sleep timer is active.

### To check the remaining time until the unit turns off

Press SLEEP on the remote once. The remaining time is displayed for 6 seconds.

### To cancel the sleep timer

Press SLEEP on the remote repeatedly until "SLEEP OFF" appears.

## Timer playback

*Turns on the unit at a specified time every day.*

*Make sure the clock is set correctly.*

Use the remote from step 2.

### 1 Prepare the source.

To play CD(s), load disc(s).

To play the radio, select the band and tune in to the desired station or tune in to a preset station (see "Tuning in to preset stations").

To play a tape, insert the tape and select the deck.

### 2 Press VOLUME +, - to set the volume level.

### 3 Press CLOCK/TIMER/SET to display "DAILY PLAY" and then press ENTER.

"⊙" indicator lights up and "ON TIME" appears for a moment.

If "DAILY PLAY" is not displayed, set the clock (see "Setting the clock") and carry out from this step again.

### 4 Press ◀◀ or ▶▶ repeatedly to set the timer-on hour and then press ENTER.

- To stop timer setting in step 3 to 6, press CLEAR on the remote. Timer standby mode is also canceled.
- The Timer playback will not begin unless the unit is turned off first.
- Turning VOLUME on the unit is also available in step 2.
- MULTI JOG is also available in place of ◀◀ or ▶▶.

### To display the timer setting

Press CLOCK/TIMER/SELECT on the remote repeatedly until "DAILY PLAY" appears. The timer-on time, the timer-off time and the source are displayed.

### To change the timer setting

Re-set the timer again.

### To cancel the timer

Press CLOCK/TIMER/SELECT on the remote repeatedly until "TIMER OFF" appears. "⊙" disappears from the display.

## Timer recording

*Turns on the unit and makes recording once at a specified time. Timer recording is available only for TUNER source.*

Use the remote from step 3.

### 1 Prepare the TUNER source.

Select the band and tune in to the desired station or tune in to a preset station (see "Tuning in to preset stations").

### 2 Prepare the recording destination.

Insert the recordable tape in deck B.

### 3 Press CLOCK/TIMER/SET to display "DAILY PLAY".

If "DAILY PLAY" is not displayed, set the clock (see "Setting the clock") and carry out from this step again.

### 4 Press ◀◀ or ▶▶ repeatedly until "ONCE REC" appears in the display and then press ENTER.

"REC ⏸" indicator lights up and "ON TIME" appears for a moment.

### 5 Carry out step 4 to step 6 described in "Timer playback" to set the timer-on time and timer-off time.

The timer-on time, the timer-off time and source (TUNER) are displayed.

### 6 Press POWER to turn the unit off.

The unit turns on at the specified timer-on time and records the source (TUNER) and then turns off at the specified timer-off time.

- To stop timer setting in step 3 to 4, press CLEAR on the remote. Timer standby mode is also canceled.
- The Timer recording will not begin unless the unit is turned off first.
- Volume level is automatically set to 0 (minimum) when the Timer recording is activated.
- MULTI JOG is also available in place of ◀◀ or ▶▶.

### To display the timer setting

Press CLOCK/TIMER/SELECT on the remote repeatedly until "ONCE REC" appears. The timer-on time, the timer-off time and the source (TUNER) are displayed.

### To change the timer setting

Re-set the timer again.

### To cancel the timer

Press CLOCK/TIMER/SELECT on the remote repeatedly until "TIMER OFF" appears. "REC ⏸" disappears from the display.

### Notes

- The Timer playback performs every day at the specified time unless you cancel it. However, the Timer recording performs only once: it automatically cancels itself when the recording finishes.
- You cannot set the same time for timer-on time and timer-off time. "SET NG" is displayed if you do that. In this case, reset the time.
- You cannot select both the Timer playback and the Timer recording at the same time. You must select either one with CLOCK/TIMER/SELECT on the remote.
- When you use the sleep timer, the timer playback/recording will not turn on the unit until the sleep timer turns it off.

# REFERENCE

## Care and maintenance

Occasional care and maintenance of the unit and the software are needed to optimize the performance of your unit.

### To clean the cabinet

Use a soft and dry cloth. If the unit surfaces are extremely dirty, use a soft cloth lightly moistened with mild detergent solution. Do not use strong solvents such as alcohol, benzine or thinner.

### To clean the tape heads

Dirty tape heads cause sound deterioration. After every 10 hours of use, clean the tape heads by using sold dry-type or wet-type head cleaning cassette separately. Refer to the instructions of the cleaning cassette.

### To demagnetize the tape heads

Use a sold demagnetizing cassette after every 20 to 30 hours of use. Refer to the instructions of the demagnetizing cassette.

### Care of CDs

When a CD becomes dirty, wipe it from the center out with a cleaning cloth. However, do not use solvents. After playing a CD, store it in its case. Do not expose a CD to direct sunlight or heat sources.

### Care of tapes

Store tapes in their cases after use. Do not leave tapes near magnets, motors, television sets, or any source of magnetism. Do not expose tapes to direct sunlight, or leave them in a car parked in direct sunlight.

## Troubleshooting

If your unit fails to perform properly, check the following guide and the relevant sections of the Operating Instructions.

First, check that the AC power cord and the speakers are connected correctly and firmly.

*Should any problem persist, consult your nearest Aiwa dealer.*

### General

#### There is no sound.

- Are the speakers and AC power cord connected properly?
- Turn VOLUME clockwise and hold.
- The headphones are connected.
- Insert only the stripped portion of the speaker cord into the SPEAKER terminal. Inserting the vinyl portion of the speaker cord will obstruct the speaker connections.

#### The unit shut off suddenly.

- Possibly a short circuit in the speaker terminals. Disconnect the AC power cord from the wall outlet and reconnect the speaker cords correctly. After a while, connect the AC power cord to the wall outlet.

#### The unit blacks out when the unit is turned off.

- ECO mode is set to on (See "ECO mode" on page 9).

#### Erroneous display.

- Reset the unit (see "Resetting the unit" on page 21).

#### There is severe hum or noise.

- A TV or VCR is placed too close to the stereo system. Move the stereo system away from the TV or VCR.

#### The clock indication does not show the correct time.

- A power interruption occurred. Set the clock and timer settings again.

#### The clock setting/radio presetting/timer is canceled.

- The AC power cord is disconnected or a power failure occurs longer than half a day.

Redo the following:

- "Setting the clock" on page 9
- "Presetting stations" on page 12

If you have set the timer, also redo "Timer playback/recording" on page 18 and 19.

#### The timer does not function.

- Set the clock correctly.
- When you used the Sleep timer, the Timer playback/recording will not turn on the unit until the Sleep timer turns it off.

#### The remote does not function

- There is an obstacle between the remote and the unit.
- The remote is not pointing in the direction of the unit's remote sensor.
- The Batteries have run down. Replace the batteries.

## Speakers

#### Sound comes from one channel or unbalanced left and right volume.

- Check the speaker connection and speaker placement.

#### Sound lacks bass.

- Check that the Speaker's ⊕ and ⊖ terminals are connected correctly.

## CD player

#### The disc compartment does not close.

- The CD is not placed properly.

#### The sound drops out.

- The lens is dirty. Clean it with a commercially available blower.

### **The CD will not play.**

- The CD is not lying flat in the disc compartment.
- The CD is dirty.
- The CD is inserted label side down.
- Moisture condensation has built up. Remove the CD and leave the system turned on for about an hour until the moisture evaporates.

### **Tape Deck**

#### **The tape does not record.**

- No tape in deck B.
- The tab has been removed from the cassette tape.
- The tape has reeled to the end.

#### **The tape does not record nor play or there is decrease in sound level.**

- The heads are dirty. Clean them (see "To clean the tape heads" on page 20).
- The record/playback heads are magnetized. Demagnetize them (see "To demagnetize the tape heads" on page 20).

#### **The tape does not run.**

- Is the deck in pause?

#### **The tape does not erase completely.**

- The record/playback heads are magnetized. Demagnetize them (see "To demagnetize the tape heads" on page 20).

#### **There is excessive wow or flutter, or the sound drops out.**

- The capstans or pinch rollers are dirty. Clean them (see "To clean the tape heads" on page 20).

#### **Noise increases or the high frequencies are erased.**

- The record/playback heads are magnetized. Demagnetize them (see "To demagnetize the tape heads" on page 20).

### **Poor tape sound.**

- Use TYPE I (normal) tapes.

### **Tuner**

#### **Noise is heard or poor reception.**

- Check the antenna connections.
- For FM, move the FM antenna to reduce the noise.
- For AM, re-rotate the AM antenna to reduce the noise.
- Move the unit and the antennas away from other electric appliances and cords.

---

### **Resetting the unit**

If an unusual condition occurs in the display window or the cassette deck, reset the unit as follows:

1 Press POWER to turn off the power.

If the power cannot be turned off, disconnect the AC power cord, then plug it in again.

2 Hold down ■ and press POWER.

Everything stored in memory after purchase is cleared.

## Specifications

### MAIN UNIT CX-JN5

#### TUNER

FM tuning range	87.5 MHz to 108 MHz
FM usable sensitivity (IHF)	13.2 dBf
FM antenna terminal	75 ohms (unbalanced)
AM tuning range	530 kHz to 1710 kHz (10 kHz step) 531 kHz to 1710 kHz (9 kHz step)
AM usable sensitivity	350 $\mu$ V/m
AM antenna	Loop antenna

#### AMPLIFIER

Power output	96 W + 96 W (40 Hz - 20 kHz, THD less than 1 %, 6 ohms) 120 W + 120 W (1 kHz, THD less than 10 %, 6 ohms)
Total harmonic distortion	0.08 % (45 W, 1 kHz, 6 ohms)
Input	VIDEO/AUX: 400 mV
Outputs	SPEAKERS: 6 ohms or more PHONES: 32 ohms or more

#### CASSETTE DECK

Track format	4 tracks, 2 channels stereo
Frequency response	50 Hz - 8 kHz
Recording system	AC bias
Heads	Deck A: playback x 1 Deck B: recording/playback x 1, erase x 1

#### CD PLAYER

Laser	Semiconductor laser ( $\lambda = 780$ nm) Emission duration: continuous
D/A converter	1 bit dual
Signal-to-noise ratio	85 dB (1 kHz, 0 dB)
Harmonic distortion	0.05 % (1 kHz, 0 dB)

#### GENERAL

Power requirements	120 V AC, 60 Hz
Power consumption	100 W
Power consumption in standby mode	With ECO mode on: 0.25 W With ECO mode off: 20 W
Dimensions (W x H x D)	280 x 330 x 392.5 mm (11 <sup>1</sup> / <sub>8</sub> x 13 x 15 <sup>1</sup> / <sub>2</sub> in.)
Weight	8.0 kg (17 lbs 10 oz)

#### FRONT SPEAKERS SX-JN5

Speaker system	3 way, bass reflex
Speaker units	Woofer: 140 mm (5 <sup>5</sup> / <sub>8</sub> in.) cone x 2 Tweeter: 60 mm (2 <sup>3</sup> / <sub>8</sub> in.) cone Super tweeter: 20 mm (13/16 in.) ceramic
Impedance	6 ohms
Dimensions (W x H x D)	298 x 327 x 278 mm (11 <sup>3</sup> / <sub>4</sub> x 12 <sup>7</sup> / <sub>8</sub> x 11 in.)
Weight	5.1 kg (11 lbs 4 oz)

#### Supplied accessories

Remote commander (1)
Batteries (2)
FM antenna (1)
AM antenna (1)

Specifications and external appearance are subject to change without notice.

#### COPYRIGHT

Check copyright laws relevant to recordings from discs, tuner or tape for the country where the unit is to be used.

Licensed by BBE Sound, Inc. under USP4638258, 5510752 and 5736897.

## ADVERTENCIA

**Para evitar un incendio o peligro de descarga, no exponga la unidad a la lluvia ni a la humedad.**

Para evitar descargas eléctricas, no abra la cubierta.

Dirija las reparaciones únicamente a personal de servicio cualificado.

No instale el aparato en un espacio cerrado, como una estantería o armario empotrado.

Para evitar un incendio, no cubra la ventilación del aparato con periódicos, manteles, cortinas, etc., y no coloque velas encendidas sobre el aparato.

Para evitar un incendio o peligro de descarga, no coloque objetos llenos de líquido, como floreros, sobre el aparato.



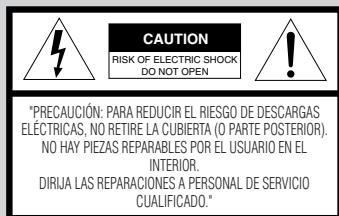
Este símbolo tiene la finalidad de avisar al usuario de la presencia de "voltaje peligroso" sin aislar en el interior del producto que podría ser de suficiente magnitud como para constituir un riesgo de descarga eléctrica para las personas.



Este símbolo tiene la finalidad de avisar al usuario de la presencia de instrucciones de funcionamiento y mantenimiento (reparación) importantes en el material impreso suministrado con el aparato.

### PRECAUCIÓN

El uso de instrumentos ópticos en este producto puede incrementar el riesgo de lesiones oculares.



As an ENERGY STAR® Partner, Sony Corporation has determined that this product meets the ENERGY STAR® guidelines for energy efficiency.

## PRECAUCIONES

### ADVERTENCIA

Este equipo ha sido ensayado y se ha concluido que cumple con las restricciones establecidas para un dispositivo digital de Clase B con arreglo a la Sección 15 de la Reglamentación FCC. Estas restricciones se han diseñado para proporcionar una protección razonable contra las interferencias dañinas en una instalación residencial.

Este equipo genera, usa y puede emitir energía de radiofrecuencia y, si no se instala y se usa de acuerdo con las instrucciones, puede provocar interferencias dañinas a las comunicaciones radiofónicas. Sin embargo, no existe garantía de que no se produzcan interferencias dañinas en una instalación particular. Si este equipo causa interferencias dañinas en la recepción de emisiones radiofónicas o televisivas, lo cual puede determinarse encendiendo y apagando el aparato, se recomienda al usuario que intente corregir la interferencia siguiendo una o más de las siguientes medidas:

- Vuelva a orientar o colocar la antena de recepción.
- Aumente la separación entre el equipo y el receptor.
- Conecte el equipo a una toma en un circuito distinto al que está conectado el receptor.
- Consulte al distribuidor o técnico experto en radio/televisión.

### PRECAUCIÓN

Se advierte de que cualquier cambio o modificación no aprobado expresamente en este manual podría invalidar la autoridad del usuario para manejar este equipo.

### Nota para el instalador del sistema de TV por cable:

Este recordatorio se proporciona para llamar la atención del instalador del sistema DE TV POR CABLE sobre el Artículo 820-40 del NEC que proporciona pautas para una puesta en tierra adecuada y, en particular, especifica que el cable de toma de tierra deberá conectarse al sistema de toma de tierra del edificio, tan cerca del punto de entrada del cable como sea posible.

### Voltaje de funcionamiento

Antes de encender el sistema, compruebe que el voltaje de funcionamiento de su sistema es idéntico al voltaje de su suministrador de energía local.

## Seguridad

- La unidad no estará desconectada de la fuente de alimentación de CA (red de suministro) mientras esté conectada a la toma de la pared, incluso si se ha apagado la unidad.
- Desenchufe el sistema de la toma de la pared (red de suministro) cuando no se vaya a utilizar en un largo periodo de tiempo. Para desconectar el cable (cable de la red de suministro), sáquelo del enchufe. Nunca estire directamente del cable.
- Si algún objeto sólido o líquido se introduce en la unidad, desconecte el sistema estéreo y haga chequear la unidad por personal cualificado antes de ponerlo nuevamente en funcionamiento.
- El cable de alimentación de CA debe cambiarse únicamente en un taller de servicio cualificado.

## Colocación

- Coloque la unidad en un lugar con ventilación adecuada para evitar acumulación de calor en la unidad.
- No coloque la unidad en posición inclinada.
- No coloque la unidad en lugares donde haya:
  - Calor o frío extremo
  - Polvo o suciedad
  - Mucha humedad
  - Vibraciones
  - Luz solar directa.

## Acumulación de calor

- Aunque la unidad se caliente durante el funcionamiento, no se trata de un mal funcionamiento.
- Coloque la unidad en un lugar con ventilación adecuada para evitar que se acumule calor en la unidad.

Si utiliza continuamente esta unidad a alto volumen, la temperatura de la cubierta superior, lateral e inferior aumentará considerablemente. Para evitar quemarse, no toque la cubierta.

## Funcionamiento

- Si el sistema se traslada directamente de un lugar frío a otro caliente, o se sitúa en una habitación muy húmeda, la humedad se condensará en la lente del interior del reproductor CD. En ese caso, el sistema no funcionará correctamente. Retire el CD y deje el sistema encendido durante aproximadamente una hora hasta que la humedad se evapore.
- Cuando traslade el sistema, saque los discos.

## Notas sobre los discos

- Es posible que los discos grabados en unidades de CD-R/RW no se reproduzcan a causa de rayas, suciedad, la condición de grabación o las características de la unidad.
- Los discos CD-R/RW no finalizados al término de la grabación no podrán reproducirse.
- No pegue etiquetas adhesivas, etc., a ninguna de las caras de un disco CD-R/RW, ya que podrían ocasionar fallos en el funcionamiento.
- No cargue un disco CD-R/RW sin grabar. El disco podría resultar dañado.
- Los discos con formas no estándar (p.ej.: corazón, cuadrado, estrella) no podrán reproducirse en esta unidad. Si lo intenta podría dañar la unidad. No utilice esos discos.
- Los discos DVD, SACD, CD-ROM, VCD y CD con archivos MP3 no pueden reproducirse en esta unidad.

## Discos de música codificados mediante tecnologías de protección de los derechos de autor

Este producto se ha diseñado para reproducir discos que cumplen con el estándar Compact Disc (CD). Recientemente, algunas compañías discográficas comercializan discos de música codificados mediante tecnologías de protección de derechos de autor. Tenga en cuenta que, entre estos discos, algunos no cumplen con el estándar CD, por lo que no podrán reproducirse mediante este producto.

Si tiene cualquier pregunta o problema relacionado con su sistema estéreo, consulte a su distribuidor Aiwa más cercano.

## ÍNDICE

PRECAUCIONES .....	24
PREPARATIVOS .....	26
PARTES Y CONTROLES .....	27
AJUSTES PREVIOS AL FUNCIONAMIENTO ..	30
FUNCIONAMIENTO DEL CD .....	32
FUNCIONAMIENTO DEL SINTONIZADOR ....	34
FUNCIONAMIENTO DE LA CINTA .....	36
AJUSTES DEL SONIDO .....	39
FUNCIONAMIENTO DEL TEMPORIZADOR ...	40
REFERENCIA .....	42



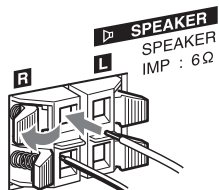
# PREPARATIVOS

## Conexión

Enchufe el cable de alimentación de CA a una toma de corriente después de haber efectuado todas las demás conexiones.

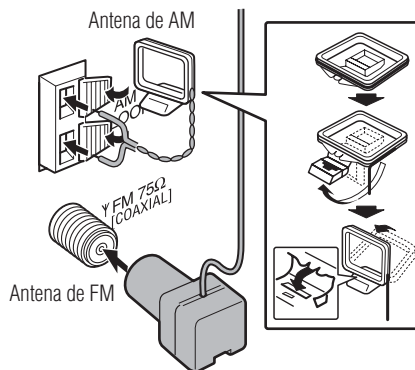
### 1 Conecte los altavoces frontales.

Conecte el altavoz frontal derecho (marcado con una "R") a los terminales SPEAKERS R y colóquelo al lado derecho de la unidad. Conecte el altavoz frontal izquierdo (marcado con una "L") a los terminales SPEAKERS L y colóquelo al lado izquierdo de la unidad. Los cables de altavoces con franjas negras se conectan a los terminales  $\ominus$ .



### 2 Conecte las antenas suministradas.

Conecte la antena de FM al terminal Y FM 75  $\Omega$  y la antena de AM a los terminales AM LOOP.



### 3 Conecte el cable de alimentación de CA a la toma de la pared.

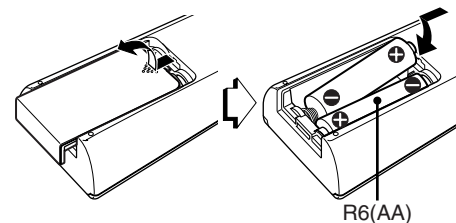
Cuando el cable de alimentación de CA se conecte a la toma de la pared por primera vez, aparecerá la DEMO en la pantalla.

Para desactivar la DEMO, pulse  $\blacktriangleright$  ( $\blacktriangleright$ / $\blacktriangleleft$ ) en el mando a distancia).

- No cortocircuite los cables de los altavoces  $\oplus$  y  $\ominus$ .
- No deje objetos que generen magnetismo ni objetos afectados por el magnetismo cerca de los altavoces.

## Control remoto

Retire la tapa del compartimiento de las pilas que se encuentra en la parte posterior del control remoto e introduzca dos pilas R6 (tamaño AA) con las polaridades colocadas en las posiciones correctas.

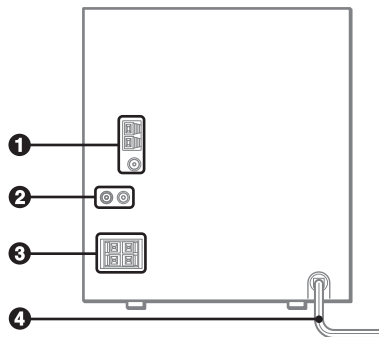


- Reemplace las pilas por otras nuevas cuando la distancia de funcionamiento entre el control remoto y la unidad principal sea menor.
- Retire las pilas si la unidad no va a ser utilizada durante un largo periodo de tiempo.
- El control remoto puede que no funcione si se utiliza bajo una luz solar intensa, etc., o si su línea de visión queda obstruida.

# PARTES Y CONTROLES

## Unidad principal: panel posterior

Consulte las páginas indicadas entre paréntesis para más información.



### ❶ Terminales AM LOOP, Y FM 75 $\Omega$ (26)

Conecte aquí las antenas de AM y FM suministradas.

### ❷ Tomas VIDEO/AUX

Aceptan la señal de sonido analógica procedente de un equipo exterior.

Haga la conexión a estas tomas utilizando un cable de conexión opcional con clavijas fono RCA (clavija roja a toma R y clavija blanca a toma L). Consulte también el manual de instrucciones de su equipo.

Para cambiar la función a la entrada externa, pulse VIDEO/AUX.

#### **Consejo:**

Para cambiar el nombre visualizado para esta función, encienda la unidad y, a continuación, mantenga pulsados VIDEO/AUX y POWER de la unidad. Repita el procedimiento para seleccionar "VIDEO", "AUX" o "TV".

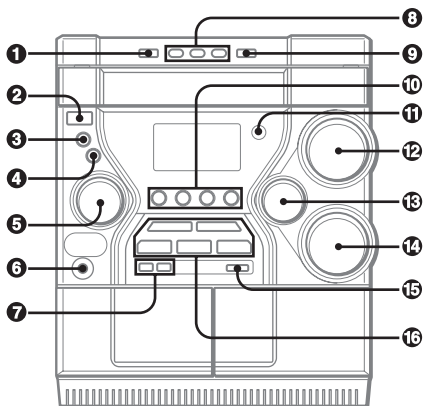
### ❸ Terminales $\triangleright$ SPEAKER (26)

Conecte los cables de los altavoces frontales suministrados a estos terminales.

### ❹ Cable de alimentación de CA (26)

## Unidad principal: Panel frontal

Consulte las páginas indicadas entre paréntesis para más información.



### 1 DISC CHANGE (32)

Gira las bandejas del CD.

### 2 POWER $\odot$ STANDBY/ON (30)

Enciende y apaga (pone en espera) la unidad.

El indicador rojo parpadea al recibir una señal del mando a distancia.

### 3 MODE (30-33, 39)

Selecciona varios modos (ECO y reproducción repetida, aleatoria y programada, etc.) cuando se utiliza en combinación con ENTER y MULTI JOG.

### 4 ENTER (30-34, 39-41)

Determina el modo y la hora (ECO, reproducción repetida, aleatoria y programada, reloj y temporizador, etc.) cuando se utiliza en combinación con ENTER y MULTI JOG.

### 5 MULTI JOG (30-34, 36-41)

Cuando se utiliza en combinación con ENTER y MULTI JOG.

CD: selecciona una pista y la reproducción repetida, aleatoria y programada.

Sintonizador: selecciona una emisora preajustada.

Cinta: especifica la duración de la cinta.

Reloj y temporizador: ajusta la hora.

i-Bass: selecciona un rango de frecuencias.

Analizador de espectro, ECO y regulador de luz: selecciona el modo.

### 6 Toma PHONES

Enchufe aquí unos auriculares opcionales con miniclavija estéreo ( $\varnothing$  3,5 mm). La salida del altavoz se cancela.

### 7 SYNC DUB (37)

Empieza a copiar una cinta completa.

### ● REC/REC MUTING (36, 37)

Inicia la grabación.

### 8 DISC DIRECT PLAY 1-3 (32)

Selecciona un disco.

### 9 $\triangle$ OPEN/CLOSE (32)

Abre o cierra el compartimiento de discos.

### 10 TAPE A/B (36)

Selecciona la función de cinta y la pletina A o B.

### TUNER/BAND (34)

Selecciona la función sintonizador y la banda de radio.

### VIDEO/AUX (27)

Selecciona la función de un equipo externo conectado a las tomas VIDEO/AUX.

### CD (32)

Selecciona la función CD.

### 11 Sensor remoto

Recibe una señal del control remoto.

### 12 VOLUME (30)

Ajusta el volumen.

### 13 TREBLE (39)

Realza el sonido de alta frecuencia.

### 14 BASS (39)

Realza el sonido de baja frecuencia.

### 15 i-Bass (39)

Produce un sonido de baja frecuencia intenso y nítido.

### 16 $\blacktriangleright$ PLAY/PRESET (30, 32, 34, 36)

Cuando la unidad está apagada: activa o desactiva la DEMO.

CD y cinta: inicia la reproducción.

Sintonizador: sintoniza una emisora preajustada.

### ■ STOP/CLEAR (32, 34, 36)

CD y cinta: detiene la reproducción.

Sintonizador: borra una emisora preajustada.

### $\lll$ TUNING DOWN, $\ggg$ TUNING UP (32, 34, 36)

CD: busca una pista en reproducción con avance rápido o retroceso rápido cuando se mantiene pulsado.

Cinta: avanza o rebobina rápidamente la cinta.

Sintonizador: sintoniza manualmente hacia arriba o abajo en la banda.

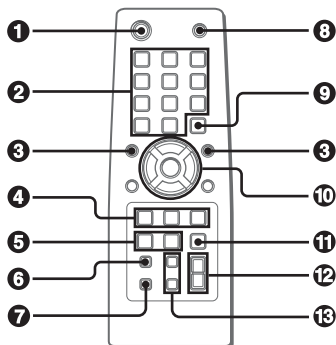
### || PAUSE/SET (32, 34, 36)

CD y cinta: hace una pausa en la reproducción.

Sintonizador: guarda la emisora recibida.

## Control remoto

Consulte las páginas indicadas entre paréntesis para más información.



Los botones cuyos nombres son idénticos o similares a los de la unidad principal realizan básicamente las mismas funciones que ellos.

### 1 POWER (30)

### 2 1-0/10, +10 (32-34)

CD: seleccionan una pista del CD del número especificado.  
Sintonizador: sintonizan la emisora con el número preajustado especificado.

Los botones realizan las siguientes funciones cuando se pulsan junto con SHIFT.

### EDIT (37, 38)

Activa el modo de grabación de edición de IA o el modo de grabación con edición programada cuando se pulsa en el modo de parada.

### BAND (34)

Selecciona la función de sintonizador y la banda de radio.

### TAPE A/B (36)

### SPECTRUM (30)

Cambia la pantalla del analizador de espectro.

### TUNER MODE (35)

Cambia entre recepción de FM estéreo o monoaural.

### 3 ◀◀, ▶▶ (31-34, 37-41)

CD: selecciona una pista.  
Sintonizador: selecciona una emisora preajustada.  
Cinta: especifica la duración de la cinta.  
BASS y TREBLE: ajusta el nivel.  
Reloj y temporizador: ajusta la hora.

### 4 PLAY MODE (33)

Selecciona reproducción aleatoria o programada en la función CD.

### REPEAT (32)

Activa el modo de reproducción repetida de un CD.

### ENTER (30-34, 39-41)

### 5 CLOCK/TIMER/SET (40, 41)

Activa el modo de ajuste del temporizador.

### CLOCK/TIMER/SELECT (40, 41)

Selecciona la reproducción con temporizador, la grabación con temporizador o desactiva el temporizador.

### 6 DISPLAY (31, 32)

Aparece en pantalla la hora y el tiempo restante en un CD.

### 7 SHIFT

Manténgalo pulsado cuando pulse un botón numerado para cambiar su función por la que está impresa sobre el número.

Por ejemplo:

"Pulse **SHIFT+BAND** en el control remoto" indica "Mantenga pulsado SHIFT y pulse '2' (BAND)". Esto le permite seleccionar la función de sintonizador y la banda de radio.

### 8 FUNCTION

Cambia la función activada entre CD, TAPE, TUNER y VIDEO (AUX o TV).

### 9 DISC SKIP (32)

Selecciona un disco.

### 10 ▶/◀▶ (30, 32, 36)

Cuando la unidad está apagada: activa o desactiva la DEMO.  
CD y cinta: inicia la reproducción.

### ■ (32, 36)

CD y cinta: detiene la reproducción.

### ◀◀, ▶▶ (32, 34, 36)

CD: busca una pista en reproducción con avance rápido o retroceso rápido cuando se mantiene pulsado.  
Cinta: avanza o rebobina rápidamente la cinta.  
Sintonizador: sintoniza manualmente hacia arriba o hacia abajo la banda.

### II (32, 36)

CD y cinta: hace una pausa en la reproducción.

### 11 SLEEP (40)

Activa y desactiva el temporizador de apagado y selecciona la duración.

### 12 VOLUME (+, -) (30)

Ajusta el volumen.

### 13 SOUND (39)

Selecciona el modo de ajuste BASS o TREBLE.

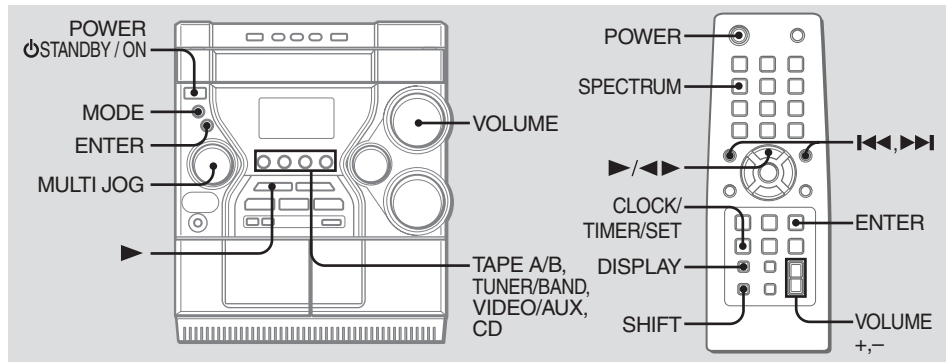
### CLEAR (33, 34)

Borra una pista de la reproducción programada del CD y una emisora preajustada de radio.

### Note

Los botones no explicados arriba (**ALBUM** , ) y **KARAOKE**) no funcionan con esta unidad.

# AJUSTES PREVIOS AL FUNCIONAMIENTO



## Alimentación

### Encendido de la unidad

Pulse POWER  $\text{O}$  STANDBY/ON (POWER en el control remoto). Al pulsar TAPE A/B, TUNER/BAND, VIDEO/AUX o CD también se enciende la unidad (función de reproducción directa). Cuando se inserte un disco o una cinta, la reproducción empezará automáticamente.

### Apagado de la unidad

Vuelva a pulsar POWER  $\text{O}$  STANDBY/ON. La unidad se pone en el modo de espera.

## Volumen

Gire VOLUME (pulse VOLUME +, - en el control remoto).

Ajuste de 0 (mínimo) a 30 y MAX (máximo).

### Consejo:

El ajuste del nivel del sonido se mantiene mientras la unidad está apagada en modo de espera:

Si la unidad se apaga con el volumen ajustado a 17 o más, se ajustará automáticamente a 16 la próxima vez que se enciende la unidad.

## DEMO

Puede disfrutar de la DEMO en la pantalla cuando la unidad esté apagada.

### Para activar o desactivar la DEMO

Pulse  $\blacktriangleright$  ( $\blacktriangleright/\blacktriangleleft$  en el control remoto) cuando la unidad esté apagada.

## Pantalla del analizador de espectro

Puede cambiar la pantalla del analizador de espectro.

- 1 Pulse repetidamente MODE hasta que "SPECTRUM?" aparezca en pantalla cuando la unidad esté encendida y, a continuación, pulse ENTER.
- 2 Gire MULTI JOG para seleccionar una de las tres pantallas del analizador de espectro (PATTERN 1, 2 y 3).

En el control remoto, pulse repetidamente SHIFT+SPECTRUM.

## Modo ECO

Reduce el consumo de energía mientras la unidad está apagada (en modo de espera).

- 1 Pulse repetidamente MODE hasta que "ECO MODE?" aparezca en pantalla y, a continuación, pulse ENTER.
- 2 Gire MULTI JOG para seleccionar "ECO ON" y, a continuación, pulse ENTER.  
En el modo ECO ON, la iluminación de la unidad se apaga cuando se apaga la unidad. Sólo se enciende el indicador rojo en POWER.

El ajuste se cancela si no se utiliza MULTI JOG o cualquier otro botón de operación antes de que transcurran 6 segundos.

### Para cancelar el modo ECO

Repita los pasos anteriores y seleccione "ECO OFF" en el paso 2.

## Regulador de intensidad de iluminación

Ajusta el brillo de la pantalla.

- 1 Pulse repetidamente MODE hasta que "DIMMER ?" aparezca en pantalla cuando la unidad esté encendida y, a continuación, pulse ENTER.
- 2 Gire MULTI JOG para seleccionar uno de los tres modos de intensidad de iluminación u "OFF", y, a continuación, pulse ENTER.  
"OFF" es el modo de intensidad más alta y "DIMMER 3" el de intensidad más baja.  
En modo DIMMER 3 no verá aparecer la pantalla del analizador de espectro.  
El ajuste se cancela si no se utiliza MULTI JOG ni ningún otro botón de operación antes de que transcurran 6 segundos.

### Para cancelar el regulador de intensidad de iluminación

Repita el procedimiento anterior y seleccione "OFF" en el paso 2.

## Puesta en hora del reloj

Utilice el control remoto.

- 1 Pulse CLOCK/TIMER/SET.  
Vaya al paso 3 cuando aparezca la hora y vea parpadear la 'hora'.
  - 2 Pulse repetidamente ◀◀ o ▶▶ hasta que "CLOCK SET" aparezca en pantalla y, a continuación, pulse ENTER.
  - 3 Pulse repetidamente ◀◀ o ▶▶ para ajustar la hora y, a continuación, pulse ENTER.
  - 4 Pulse repetidamente ◀◀ o ▶▶ para ajustar los minutos y, a continuación, pulse ENTER.  
La pantalla de la hora deja de parpadear y el reloj empieza a funcionar a partir de 00 segundos.
- En lugar de ◀◀ o ▶▶ también se puede utilizar MULTI JOG.

### Para visualizar la hora

Pulse DISPLAY en el control remoto. La hora aparecerá en pantalla durante 6 segundos.

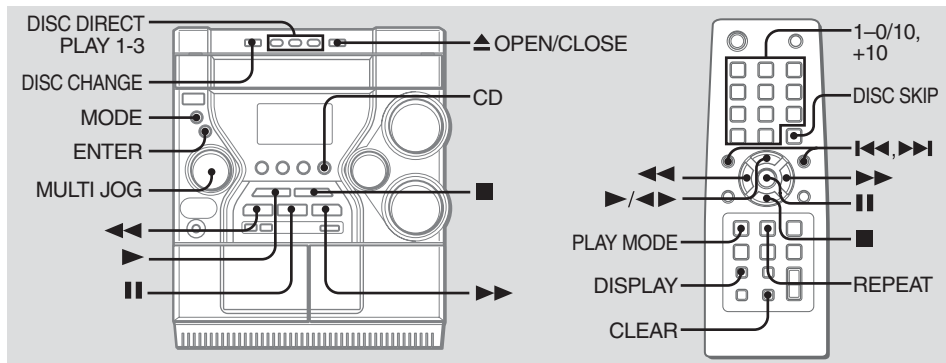
### Consejo:

"AM 12:00" indica medianoche y "PM 12:00" indica mediodía.

### Si aparece "- :-" al apagar la unidad

Se ha producido una interrupción en el suministro de alimentación. Vuelva a poner en hora el reloj.

# FUNCIONAMIENTO DEL CD



Esta unidad reproduce discos CD-R/RW finalizados así como también CDs de audio.

## Reproducción

- 1** Pulse CD e introduzca el(los) disco(s).  
Pulse **▲** OPEN/CLOSE para abrir el compartimiento de discos y ponga un disco o dos discos con el lado de la etiqueta hacia arriba.  
Para poner tres discos, pulse DISC CHANGE para que giren las bandejas, y, a continuación, ponga el tercer disco. Para terminar, cierre el compartimiento con **▲** OPEN/CLOSE.
  - Cuando introduzca un disco de 8 cm, póngalo en el círculo interior de la bandeja.
- 2** Para reproducir todos los discos, pulse **▶**(**▶**/**◀**) en el control remoto) y, a continuación, "ALL DISCS" se iluminará en la pantalla  
Para reproducir un disco deseado, pulse DISC DIRECT PLAY 1-3 y, a continuación, "1 DISC" se iluminará en la pantalla

Un indicador del disco en reproducción parpadeará en la pantalla.

### Para detener la reproducción

Pulse **■**.

### Para hacer una pausa en la reproducción

Pulse **||**. Púlselo de nuevo para reanudar la reproducción.

### Para seleccionar una pista

Gire MULTI JOG o pulse repetidamente **◀◀** o **▶▶** en el control remoto.

Con los botones numerados en el control remoto,

- Para seleccionar la pista 10, pulse 0/10.
- Para seleccionar la pista 20, pulse +10, +10 y 0/10.
- Para seleccionar la pista 25, pulse +10, +10 y 5.

### Para buscar (reproducción en avance rápido o retroceso rápido)

Mantenga pulsado **◀◀** o **▶▶**. Suéltelo en el punto deseado.

### Para seleccionar un disco

Pulse DISC DIRECT PLAY 1-3 o DISC SKIP en el control remoto.

### Para visualizar el tiempo restante de la pista o del disco

Pulse repetidamente DISPLAY en el control remoto durante la reproducción.

La pantalla cambia cíclicamente del siguiente modo:

- Número de pista y tiempo de reproducción transcurrido de la pista actual
- Número de la pista y tiempo restante de la pista actual
- Tiempo restante del disco actual
- Pantalla del reloj (durante 6 segundos)

### Para reemplazar uno o varios discos durante la reproducción sin interrupción

Mientras se esté reproduciendo un disco, pulse DISC CHANGE para que se abra el compartimiento de discos, reemplace el disco o discos por otro u otros, y pulse DISC CHANGE para cerrar el compartimiento de discos.

## Reproducción repetida

Reproduce repetidamente todas las pistas o una pista de los discos.

- 1** Pulse repetidamente MODE hasta que "REPEAT?" aparezca en pantalla en función CD y, a continuación, pulse ENTER.
- 2** Gire MULTI JOG para seleccionar uno de los dos modos de repetición de abajo o "REPEAT OFF" y, a continuación, pulse ENTER.
  - "REPEAT ALL":  
Para todas las pistas de un disco deseado o todos los discos hasta 5 veces. "☞" se ilumina.
  - "REPEAT 1":  
Para una sola pista. "☞1" se ilumina.

El ajuste se cancela si no se utiliza MULTI JOG o cualquier otro botón de operación antes de que transcurran 6 segundos.

- 3** Para reproducir un disco deseado, pulse DISC DIRECT PLAY 1-3.

Para reproducir todos los discos, pulse **▶**(**▶**/**◀**) en el control remoto).

En el control remoto, pulse repetidamente REPEAT hasta que "☞" o "☞1" aparezcan y realice el paso 3.

### Para cancelar la reproducción repetida

Realice los pasos 1 y 2, y seleccione "REPEAT OFF" en el paso 2. En el control remoto, pulse repetidamente REPEAT hasta que "↵" y "↵1" desaparezcan.

## Reproducción aleatoria

Reproduce las pistas de un disco deseado o todos los discos en orden aleatorio.

1 Pulse MODE repetidamente hasta ver aparecer "PLAY MODE?" en la pantalla en modo de parada y, a continuación, pulse ENTER.

2 Gire MULTI JOG para seleccionar "SHUFFLE" y, a continuación, pulse ENTER. "SHUF" se iluminará.

El ajuste se cancela si no se utiliza MULTI JOG o cualquier otro botón de operación antes de que transcurran 6 segundos.

3 Para reproducir un disco deseado, pulse DISC DIRECT PLAY 1-3.

Para reproducir todos los discos, pulse ►(►/◄◄ en el control remoto).

En el control remoto, pulse repetidamente PLAY MODE hasta que "SHUF" se ilumine y realice el paso 3.

### Para cancelar la reproducción aleatoria

Realice los pasos 1 y 2, y seleccione "CONTINUE" en el paso 2. En el control remoto, pulse repetidamente PLAY MODE hasta que "SHUF" y "PGM" desaparezcan.

## Reproducción programada

Reproduce hasta 30 pistas seleccionadas en orden programado.

1 Pulse MODE repetidamente hasta ver aparecer "PLAY MODE?" en la pantalla en modo de parada y, a continuación, pulse ENTER.

2 Gire MULTI JOG para seleccionar "PROGRAM" y, a continuación, pulse ENTER. "PGM" se iluminará.

El ajuste se cancela si no se utiliza MULTI JOG o cualquier otro botón de operación antes de que transcurran 6 segundos.

3 Pulse DISC DIRECT PLAY 1-3 para seleccionar un disco.

Vaya al siguiente paso cuando la bandeja de discos deje de girar.

En el control remoto, pulse DISC SKIP.

4 Gire MULTI JOG para seleccionar una pista y, a continuación, pulse ENTER.

El número de pista seleccionada y el número de programa aparecen en la pantalla.

En el mando a distancia, pulse ◀◀ o ▶▶ y, a continuación, pulse ENTER o pulse los botones numerados:

- Para seleccionar la pista 10, pulse 0/10.

- Para seleccionar la pista 20, pulse +10, +10 y 0/10.

- Para seleccionar la pista 25, pulse +10, +10 y 5.

5 Repita los pasos 3 y 4 para programar otras pistas.

6 Pulse ►(►/◄◄ en el control remoto).

En el control remoto, pulse repetidamente PLAY MODE hasta que "PGM" se ilumine y realice los pasos 3 a 6.

• Durante la reproducción programada, no puede seleccionar un disco ni una pista con los botones numerados.

• Si el tiempo total de reproducción del programa supera los 99 minutos y 59 segundos, o si se programa una pista con un número de pista superior a 30, el tiempo de reproducción aparecerá en pantalla como "- :- -".

• No se pueden programar más de 30 pistas. "FULL" aparecerá en pantalla.

### Para borrar una pista

Pulse CLEAR en el control remoto en el modo de parada. Borrará una pista del final del programa.

### Para borrar todo el programa

Pulse ■ en el modo de parada.

### Para añadir pistas al programa

Repita los pasos 2 y 3 antes de iniciar la reproducción. Las pistas se añadirán al final del programa.

### Para cancelar la reproducción programada

Realice los pasos 1 y 2, y seleccione "CONTINUE" en el paso 2. En el control remoto, pulse repetidamente PLAY MODE hasta que "PGM" y "SHUF" desaparezcan.

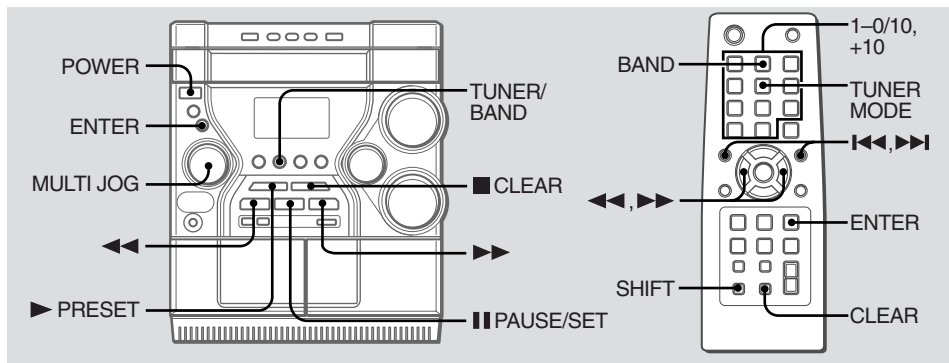
• Los contenidos del programa permanecen incluso si el programa se cancela o después de que la reproducción programada finalice. El mismo programa se reproducirá si realiza los pasos 1, 2 y 6.

### Notas sobre los CDs

- No inserte más de un disco en la bandeja de discos.
- No incline la unidad con discos cargados.



# FUNCIONAMIENTO DEL SINTONIZADOR



## Sintonización manual

- 1 Pulse repetidamente TUNER/BAND (SHIFT+BAND en el control remoto) para seleccionar una banda (FM o AM).
- 2 Pulse <<< o >>> para sintonizar una emisora. "TUNE" aparece en pantalla cuando se sintoniza una emisora. "((Ⓜ))" se ilumina para la recepción estéreo en FM.

## Para buscar automáticamente una emisora (Búsqueda automática)

Mantenga pulsado <<< o >>>.

La unidad busca una emisora hacia arriba o hacia abajo de la banda y se para al recibirla.

Para detener manualmente la búsqueda, pulse <<< o >>>.

- La búsqueda automática tal vez no se detenga cuando las emisoras emitan señales débiles.

## Sintonización de emisoras preajustadas

Preajuste sus emisoras favoritas para poder sintonizarlas luego directamente.

### Preajuste de emisoras

- 1 Pulse TUNER/BAND para seleccionar una banda.
  - 2 Pulse <<< o >>> para sintonizar la emisora deseada.
  - 3 Pulse ENTER (o PAUSE/SET en la unidad) para almacenar la emisora. El número de preajuste, empezando por el "1", aparece en la pantalla.
  - 4 Repita los pasos 1 a 3 para preajustar otras emisoras.
- No puede memorizar más de 32 emisoras de preajuste. Si lo intenta aparecerá en pantalla "FULL".

## Sintonización de emisoras preajustadas

### En la unidad

- 1 Pulse TUNER/BAND para seleccionar una banda.
- 2 Pulse repetidamente PRESET o gire MULTI JOG. Cada vez que pulse se sintoniza la emisora con el número de preajuste posterior.

### En el control remoto

- 1 Pulse SHIFT+BAND para seleccionar una banda.
- 2 Pulse los botones numerados correspondientes al número de preajuste de su emisora deseada.
  - Para seleccionar la pista 10, pulse 0/10.
  - Para seleccionar la pista 15, pulse +10 y 5.
  - Para seleccionar la pista 20, pulse +10 y +10 y 0/10.• Al pulsar repetidamente <<< o >>> también se puede seleccionar el número preajustado.

### Para borrar una emisora preajustada

- 1 Sintonice la emisora mediante la sintonización de preajuste.
- 2 Pulse CLEAR en la unidad (CLEAR en el control remoto) y, a continuación, pulse ENTER antes de que transcurran 6 segundos. Los números de preajuste de las emisoras preajustadas pertenecientes a la misma banda disminuyen en uno.

## Ajustes

### Antenas

Mantenga las antenas alejadas de objetos metálicos, equipos y cables eléctricos.

Antena de FM: Extiéndala completamente hasta la posición que ofrezca la mejor recepción. Si las condiciones de recepción no son adecuadas, conecte una antena exterior opcional al terminal  $\Psi$  FM 75  $\Omega$ . Utilice un adaptador si es necesario.

Antena de AM: Gírela para obtener la mejor recepción.

### Para cambiar a la recepción de FM monofónica

Pulse SHIFT+TUNER MODE en el control remoto. Cada vez que pulse, "MONO" y "STEREO" aparecerán alternativamente en la pantalla.

#### **Consejo:**

Cuando la recepción estéreo por FM no sea adecuada, el cambio a la recepción mono reducirá el ruido.

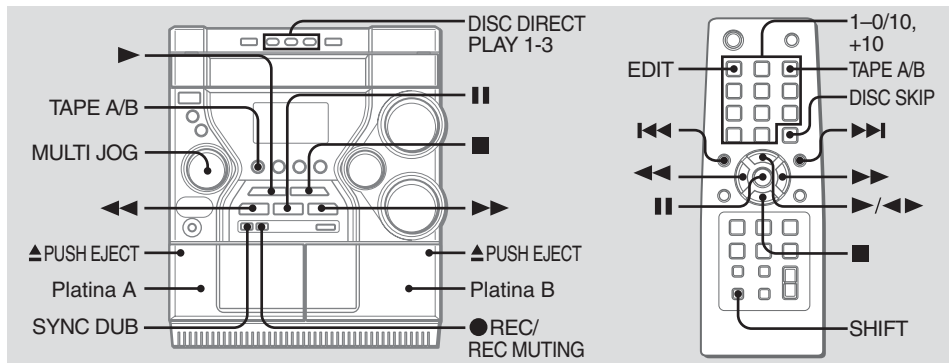
### Para cambiar el intervalo de sintonización de AM

Mantenga pulsado TUNER/BAND y pulse POWER en la unidad. Cada vez que pulse, el intervalo de sintonización de AM cambiará entre 9 kHz/paso y 10 kHz/paso.

#### **Consejo:**

El ajuste predeterminado es de 10 kHz/paso. Cámbielo sólo cuando se utilice la unidad en un área de 9 kHz/paso. El cambio del intervalo de sintonización de AM borra todas las emisoras preajustadas.

# FUNCIONAMIENTO DE LA CINTA



## Notas sobre los casetes

- No se recomienda utilizar cintas de más de 90 minutos porque son sumamente delgadas y se estropean fácilmente. Si tiene que utilizarlas, no cambie las funciones de la cinta, como la reproducción y parada.
- Tense las cintas con un lapicero o herramienta similar antes de utilizarlas. Las cintas no tensadas podrían engancharse en el mecanismo de la pletina y estropearse.

## Grabación básica

Utilice solamente cintas TYPE I (normales). La pletina B es la pletina de grabación. Sólo puede grabarse una cara de la cinta cada vez.

### 1 Inserte la cinta grabable en la platina B.

Presione ▲PUSH EJECT para abrir el portacasete, e inserte el casete con la parte expuesta hacia abajo y la cara que va a ser grabada hacia el exterior de la unidad. En caso necesario, bobine la cinta hasta el punto deseado.

### 2 Prepare la fuente.

Para grabar CDs, seleccione la función CD e introduzca el/los disco(s).

Para grabar un programa de radio, sintonice la emisora deseada.

Para grabar una cinta, inserte la cinta de reproducción en pletina A y seleccione la función TAPE (pletina A).

Para grabar de un equipo externo conectado, seleccione la función VIDEO/AUX y prepare el equipo.

### 3 Pulse ● REC/REC MUTING para empezar a grabar.

Cuando grabe un CD o una cinta, la reproducción empezará automáticamente.

Cuando grabe la entrada desde el equipo conectado, empiece a reproducir manualmente la fuente.

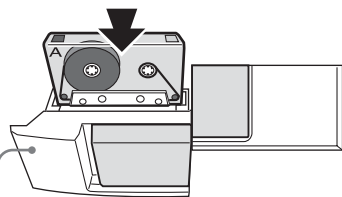
- El ajuste del volumen o el tono no afecta a la grabación.
- Si intenta grabar una cinta con la lengüeta rota se visualizará "NO TAB".

## Reproducción

Utilice solamente cintas TYPE I (normales).

### 1 Pulse TAPE A/B (SHIFT+TAPE A/B en el control remoto) e introduzca la cinta en una de las pletinas.

Pulse ▲PUSH EJECT para abrir el portacasete, e inserte el casete con el lado donde está expuesta la cinta hacia abajo y la cara de reproducción hacia el exterior de la unidad. Empuje ▲PUSH EJECT para cerrar.



▲PUSH EJECT

### 2 Pulse ►(►/◄► en el control remoto).

### Para detener la reproducción

Pulse ■.

### Para hacer una pausa en la reproducción (sólo pletina B)

Pulse ■■. Púlselo de nuevo para reanudar la reproducción.

### Para avanzar o rebobinar rápidamente la cinta

Pulse ◀◀ o ▶▶.

### Para seleccionar una pletina (pletina A o pletina B)

Pulse TAPE A/B (SHIFT+TAPE A/B en el control remoto) en el modo de parada cuando haya cintas cargadas en ambas pletinas. "TP A" (pletina A) o "TP B" (pletina B) aparecerá en pantalla.

### Para reponer el contador de cinta

Pulse ■ en el modo de parada y el contador de cinta de la pantalla se pondrá en "0000". La abertura y el cierre del portacasete también repondrán el contador de cinta.

### Para reproducir continuamente (pletina A a pletina B)

Introduzca cintas en ambas pletinas e inicie la reproducción en la pletina A. A continuación, tan pronto como termine la reproducción en la pletina A, la reproducción en la pletina B empezará sin interrupción.

- Ambas pletinas reproducen un lado de las cintas.

### Para detener la grabación

Pulse ■.

### Para hacer una pausa en la grabación (sólo para una fuente TUNER o VIDEO/AUX)

Pulse ■■. Púlselo de nuevo para reanudar la grabación.

### Para grabar un grupo seleccionado de pistas de un CD

Programa las pistas deseadas (consulte "Reproducción programada") y, a continuación, pulse ●REC/REC MUTING.

### Para grabar un espacio en blanco de 4 segundos (sólo para la fuente TUNER o VIDEO/AUX)

1 Pulse ●REC/REC MUTING durante la grabación o en el modo de pausa de grabación.

"REC MUTING" parpadeará en la pantalla durante 4 segundos (mientras tanto se deja un espacio en blanco en la cinta) y la unidad entra luego en el modo de pausa de grabación.

Para grabar un espacio en blanco de menos de 4 segundos, pulse de nuevo ●REC/REC MUTING mientras parpadea "REC MUTING".

La grabación se reanuda de manera que no es necesario realizar el paso 2 siguiente.

Para grabar un espacio en blanco de más de 4 segundos, pulse de nuevo ●REC/REC MUTING después de que la unidad entre en el modo de pausa de grabación. Cada vez que se pulsa el botón se agrega un espacio de 4 segundos.

2 Pulse ■■ para reanudar la grabación.

### Para borrar una cinta

1 Inserte la cinta en la pletina B. En caso necesario, ponga la cinta en el punto deseado.

2 Pulse TAPE A/B para seleccionar "TP B".

3 Pulse ●REC/REC MUTING.

## Copiado de toda la cinta

1 Pulse TAPE A/B para seleccionar la función TAPE.

2 Inserte la cinta original en la platina A y la cinta grabable en la platina B.

3 Pulse SYNC DUB.

Las cintas se rebobinan hasta el comienzo de la cara delantera y comienza la grabación.

- El copiado no puede empezar desde un punto intermedio en la cinta.

- Sólo se puede grabar una cara de la cinta cada vez.

### Para detener el copiado

Pulse ■.

## Grabación de CDs editados

### Grabación con edición de AI

*Cuando graba un CD completo, la función de grabación con edición de AI tiene en consideración la duración de su cinta y cambia el orden de grabación de las pistas en caso de ser necesario, para que ninguna de ellas quede interrumpida al final de la cara de grabación. Prepare una cinta de duración suficiente para grabar el CD.*

1 Inserte la cinta grabable en la platina B.

2 Seleccione la función CD e introduzca el(los) disco(s).

3 Pulse una vez SHIFT+EDIT en el control remoto. Aparecerá "AI C-00".

4 Pulse DISC DIRECT PLAY 1-3 para seleccionar un disco.

- DISC SKIP en el control remoto también puede utilizarse para seleccionar un disco.

5 Pulse los botones numerados del mando a distancia para introducir la longitud de la cinta grabable.

Se puede especificar un tiempo de 10 a 99 minutos.

- Para un tiempo de 60 minutos, pulse 6 y 0/10.

En unos pocos segundos, la unidad determina las pistas que van a ser grabadas en cada lado.

El tiempo de grabación restante para la cara A aparece en la pantalla.

- Para especificar la duración de la cinta también se pueden utilizar ◀◀ o ▶▶ en el control remoto o MULTI JOG.

6 Pulse ●REC/REC MUTING para empezar a grabar en la cara A.

La cinta se rebobina hasta el comienzo de la cara A y empieza la grabación.

Vaya al paso siguiente cuando termine la grabación en la cara A.

7 Pulse SHIFT+EDIT en el control remoto.

El tiempo de grabación restante para la cara B aparece en la pantalla.

8 Dé la vuelta a la cinta y pulse ●REC/REC MUTING para empezar a grabar en la cara B.

- La grabación con edición de AI no puede utilizarse con discos que tienen más de 30 pistas. En este caso se visualiza "TR OVER".

- La grabación no puede empezar desde un punto intermedio de la cinta.

## Grabación con edición programada

Según programa las pistas del CD que van a ser grabadas, la función de grabación con edición programada muestra el tiempo de grabación restante para cada cara de la cinta, de esta forma usted podrá seleccionar fácilmente un grupo de pistas deseadas que quepa en su cinta.

- 1 Inserte la cinta grabable en la platina B.
- 2 Seleccione la función CD e introduzca un(os) disco(s).
- 3 Pulse **dos veces** SHIFT+EDIT en el control remoto. "PRGM C-00" aparecerá en pantalla y "PGM" se iluminará.
- 4 Pulse los botones numerados del mando a distancia para introducir la longitud de la cinta grabable.  
Se puede especificar un tiempo de 10 a 99 minutos.
  - Para especificar la duración de la cinta también se pueden utilizar **◀◀**, **▶▶** en control remoto o MULTI JOG.
- 5 Pulse DISC DIRECT PLAY 1-3 para seleccionar un disco. A continuación, pulse los botones numerados del control remoto para seleccionar la primera pista que vaya a grabar en la cara A.
  - Para seleccionar la pista 10, pulse 0/10.
  - Para seleccionar la pista 20, pulse +10, +10 y 0/10.
  - Para seleccionar la pista 25, pulse +10, +10 y 5.
  - También puede utilizarse DISC SKIP en el control remoto para seleccionar un disco.
- 6 Repita el paso 5 para seleccionar el resto de las pistas para la cara A.  
El tiempo de grabación restante de la cara A se visualizará. Usted no puede seleccionar una pista con un tiempo de grabación superior.

- 7 Pulse SHIFT+EDIT en el control remoto para cambiar a la cara B y seleccione las pistas para esa cara.
- 8 Pulse SHIFT+EDIT en el control remoto para cambiar a la cara A.
- 9 Pulse **●** REC/REC MUTING para empezar a grabar en esa cara A.  
La cinta se rebobina hasta el comienzo de la cara A y empieza la grabación.  
Vaya al paso siguiente cuando termine la grabación de la cara A.
- 10 Pulse SHIFT+EDIT en el control remoto para cambiar a la cara B.
- 11 Dé la vuelta a la cinta y pulse **●** REC/REC MUTING para empezar a grabar en la cara B.

- No puede programar más de 30 pistas. En caso contrario se visualizará "FULL".
- No podrá programar una pista con un número de pista que sea superior al 30.
- La grabación no puede empezar desde un punto intermedio de la cinta.

### Para detener la grabación

Pulse **■**. La grabación y la reproducción del CD se detienen simultáneamente.

### Para chequear el programa

- 1 Antes de grabar, pulse SHIFT+EDIT en el control remoto para seleccionar la cara A o la B.
- 2 Pulse repetidamente **◀◀** o **▶▶** en el control remoto o gire MULTI JOG. El número de la pista y el número del programa se visualizarán en orden.

### Para cambiar el programa para cada cara

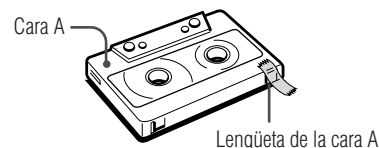
Pulse SHIFT+EDIT en el control remoto para seleccionar la cara A o la B, y pulse **■** para cancelar el programa para la cara seleccionada. A continuación, vuelva a seleccionar las pistas.

### Para borrar el programa editado

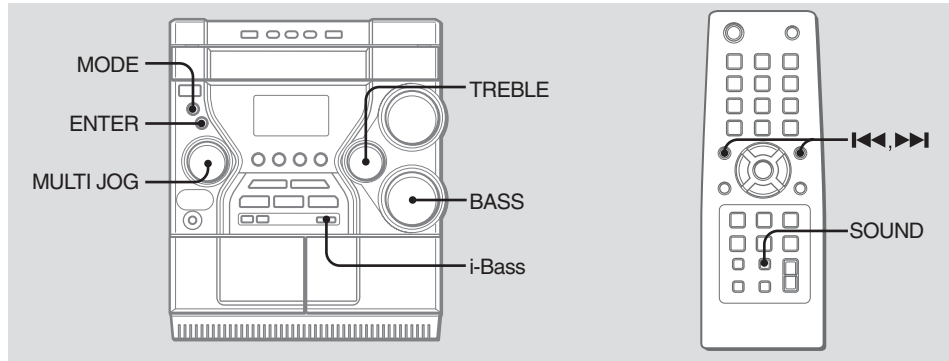
Pulse dos veces **■** en modo parada.

### Para impedir el borrado accidental

Rompa la lengüeta de plástico del casete con un destornillador u otra herramienta puntiaguda. Para grabar de nuevo en la cinta, tape el agujero de detección con cinta adhesiva.



# AJUSTES DEL SONIDO



## BASS

Realza las frecuencias bajas para obtener un sonido potente.

Gire BASS para ajustar de 0 a 5.

En el control remoto, pulse repetidamente SOUND hasta que "BASS" aparezca en pantalla y, a continuación, pulse repetidamente ◀◀ o ▶▶ antes de que transcurran 6 segundos.

- Cuando el sonido se distorsione con el efecto BASS, cancele este efecto.

## TREBLE

Realza las frecuencias altas para obtener un sonido más claro.

Gire TREBLE para ajustar de 0 a 5.

En el control remoto, pulse repetidamente SOUND hasta que "TREBLE" aparezca en pantalla y, a continuación, pulse repetidamente ◀◀ o ▶▶ antes de que transcurran 6 segundos.

- Cuando el sonido se distorsione con el efecto TREBLE, cancele este efecto.

## i-Bass

Proporciona sonido de graves intenso y nítido, además del efecto BASS.

- 1 Pulse i-Bass para seleccionar "I-BASS ON". El indicador rojo del botón i-Bass se iluminará.
- 2 Gire BASS para ajustar de 1 a MAX(5).

### Para seleccionar el rango de frecuencias del efecto i-Bass

- 1 Pulse i-Bass para seleccionar "I-BASS ON".
- 2 Pulse repetidamente MODE hasta que "IBAS FREQ?" aparezca en pantalla y, a continuación, pulse ENTER.
- 3 Gire MULTI JOG para seleccionar uno de los tres rangos de frecuencias (FREQ 1, 2 y 3).
  - FREQ 1: Gama baja
  - FREQ 2: Gama media
  - FREQ 3: Gama alta

Después del paso 3, ajuste el nivel de i-Bass girando BASS si es necesario.

El ajuste se cancela si no se utiliza MULTI JOG o cualquier otro botón de operación antes de que transcurran 6 segundos.

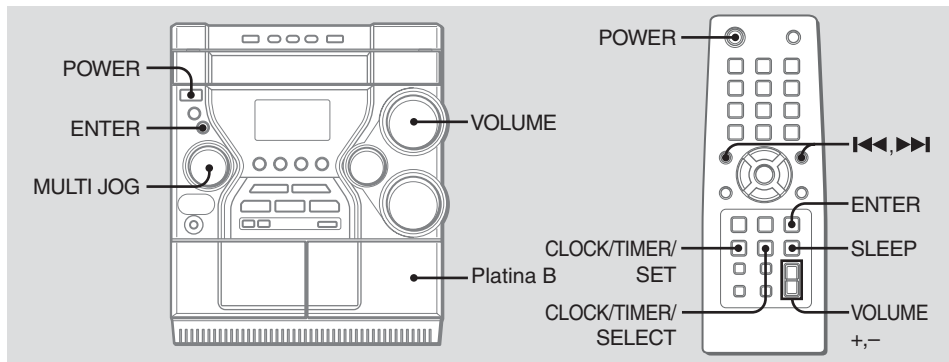
### Para cancelar i-Bass

Pulse i-Bass para seleccionar "I-BASS OFF".

### Nota

BASS se desactiva al seleccionarse "I-BASS ON" y por lo tanto no podrá seleccionar "BASS" con SOUND en el mando a distancia. Para activar BASS, cancele i-Bass.

# FUNCIONAMIENTO DEL TEMPORIZADOR



## Temporizador de apagado

Apaga temporalmente la unidad después de transcurrir un tiempo especificado.

Pulse repetidamente SLEEP en el control remoto. Cada vez que pulse, la duración del temporizador cambiará cíclicamente como sigue:

"AUTO"\* → "90" → "80" → "10" → "OFF"



La unidad se apaga transcurrido el tiempo seleccionado.

\* "AUTO": La unidad se apaga cuando la cinta o CD actual finaliza la reproducción (hasta 100 minutos).

### Consejo:

La iluminación de la pantalla se reduce mientras el temporizador de apagado está activado.

### Para chequear el tiempo restante hasta que se apague la unidad

Pulse una vez SLEEP en el control remoto. El tiempo restante se visualizará durante 6 segundos.

### Para cancelar el temporizador de apagado

Pulse SLEEP en el control remoto hasta que se visualice "SLEEP OFF".

## Reproducción con temporizador

Enciende la unidad a una hora especificada todos los días.

Verifique que el reloj está ajustado correctamente.

Utilice el control remoto a partir del paso 2.

### 1 Prepare la fuente.

Para reproducir uno o varios CDs, cargue el disco o los discos.

Para escuchar la radio, seleccione la banda y sintonice la emisora deseada o sintonice una emisora preajustada (consulte "Sintonización de emisoras preajustadas").

Para reproducir una cinta, inserte la cinta y seleccione la platina.

### 2 Pulse VOLUME +, - para ajustar el nivel del volumen.

### 3 Pulse CLOCK/TIMER/SET hasta que aparezca en pantalla "DAILY PLAY" y, a continuación, pulse ENTER.

El indicador "☉" se iluminará y "ON TIME" aparecerá por unos instantes.

Si "DAILY PLAY" no aparece en pantalla, ajuste el reloj (consulte "Puesta en hora del reloj") y realice de nuevo este paso.

### 4 Pulse repetidamente ◀◀ o ▶▶ en el control remoto para ajustar la hora de encendido del temporizador y, a continuación, pulse ENTER.

### 5 Pulse ◀◀ o ▶▶ para ajustar los minutos de encendido temporizado y, a continuación, pulse ENTER.

"OFF TIME" aparecerá por unos instantes.

### 6 Repita los pasos 4 y 5 para ajustar la hora y el minuto de apagado temporizado.

### 7 Pulse ◀◀ o ▶▶ para seleccionar la fuente (CD, TAPE o TUNER) y, a continuación, pulse ENTER. La hora de encendido temporizado, la hora de apagado temporizado y la fuente aparecerán en pantalla.

### 8 Pulse POWER para apagar la unidad.

La unidad se enciende a la hora de encendido temporizado, reproduce la fuente seleccionada y, a continuación, se apaga a la hora de apagado temporizado.

- Para detener el ajuste del temporizador en los pasos 3 a 6, pulse CLEAR en el control remoto. El modo de espera del temporizador también se cancelará.
- La reproducción con temporizador no empezará si no se apaga primero la unidad.
- El ajuste VOLUME en la unidad también se encuentra disponible en el paso 2.
- En lugar de ◀◀ o ▶▶ también se puede utilizar MULTI JOG.

### Para visualizar el ajuste del temporizador

Pulse repetidamente CLOCK/TIMER/SELECT en el control remoto hasta que "DAILY PLAY" aparezca. La hora de encendido temporizado, la hora de apagado temporizado y la fuente aparecerán en pantalla.

### Para cambiar el ajuste del temporizador

Reponga de nuevo el temporizador.

### Para cancelar el temporizador

Pulse repetidamente CLOCK/TIMER/SELECT en el control remoto hasta que "TIMER OFF" aparezca. "⊖" desaparecerá de la pantalla.

## Grabación con temporizador

*Enciende la unidad y graba una vez a la hora especificada.*

*La grabación con temporizador sólo se encuentra disponible para la fuente TUNER.*

Utilice el control remoto a partir del paso 3.

#### 1 Prepare la fuente TUNER.

Seleccione la banda y sintonice la emisora deseada o sintonice una emisora preajustada (consulte "Sintonización de emisoras preajustadas").

#### 2 Prepare el destino de la grabación.

Inserte la cinta grabable en la platina B.

#### 3 Pulse CLOCK/TIMER/SET hasta que "DAILY PLAY" aparezca en pantalla.

Si "DAILY PLAY" no aparece en pantalla, ajuste el reloj (consulte "Puesta en hora del reloj") y realice este paso de nuevo.

#### 4 Pulse repetidamente ◀◀ o ▶▶ hasta que "ONCE REC" aparezca en pantalla y, a continuación, pulse ENTER.

El indicador "REC ⊖" se iluminará y "ON TIME" aparecerá por unos instantes.

#### 5 Realice los pasos 4 a 6 descritos en "Reproducción con temporizador" para ajustar la hora de encendido temporizado y la hora de apagado temporizado.

La hora de encendido temporizado, la hora de apagado temporizado y la fuente (TUNER) aparecerán en pantalla.

#### 6 Pulse POWER para apagar la unidad.

La unidad se enciende a la hora de encendido temporizado, graba la fuente (TUNER) y, a continuación, se apaga a la hora de apagado temporizado.

- Para detener el ajuste del temporizador en los pasos 3 a 4, pulse CLEAR en el control remoto. El modo de espera del temporizador también se cancelará.
- La grabación con temporizador no empezará si no se apaga primero la unidad.
- El nivel del volumen se ajusta automáticamente a 0 (mínimo) cuando está activada la grabación con temporizador.
- En lugar de ◀◀ o ▶▶ también se puede utilizar MULTI JOG.

### Para visualizar el ajuste del temporizador

Pulse repetidamente CLOCK/TIMER/SELECT en el control remoto hasta que "ONCE REC" aparezca. La hora de encendido temporizado, la hora de apagado temporizado y la fuente (TUNER) aparecerán en pantalla.

### Para cambiar el ajuste del temporizador

Vuelva a ajustar de nuevo el temporizador.

### Para cancelar el temporizador

Pulse repetidamente CLOCK/TIMER/SELECT en el control remoto hasta que "TIMER OFF" aparezca. "REC ⊖" desaparecerá de la pantalla.

### Notas

- La reproducción con temporizador se mantiene cada día a la hora especificada a no ser que la cancele. Sin embargo, la grabación con temporizador se mantiene sólo una vez: se cancela automáticamente cuando finaliza la grabación.
- No puede ajustar la misma hora para la activación y desactivación del temporizador. Si lo hace "SET NG" aparecerá en pantalla. En este caso, reajuste la hora.
- No puede seleccionar la reproducción con temporizador y la grabación con temporizador al mismo tiempo. Deberá seleccionar una de las dos con CLOCK/TIMER/SELECT en el control remoto.
- Cuando utilice el temporizador de apagado, la reproducción/grabación con temporizador no encenderá la unidad hasta que se desactive el temporizador de apagado.



# REFERENCIA

## Cuidados y mantenimiento

El mantenimiento y el cuidado ocasional de la unidad y del software son necesarios para optimizar las prestaciones de su unidad.

### Para limpiar la carcasa

Utilice un paño blando y seco. Si las superficies de la unidad están muy sucias, utilice un paño blando humedecido un poco en una solución de detergente suave. No utilice disolventes fuertes tales como alcohol, bencina o diluyente.

### Para limpiar los cabezales magnetofónicos

Los cabezales sucios deterioran el sonido. Después de cada 10 horas de utilización, limpie los cabezales con una cinta limpiadora de cabezales de tipo seco o húmedo indistintamente. Consulte las instrucciones del casete de limpieza.

### Para desmagnetizar los cabezales magnetofónicos

Utilice un casete desmagnetizador cada 20 a 30 horas de funcionamiento. Consulte las instrucciones del casete desmagnetizador.

### Cuidados de los CDs

Cuando se ensucie un CD, límpielo pasando un paño de limpieza desde el centro hacia fuera. Sin embargo, no utilice disolventes. Después de reproducir un CD, guárdelo en su caja. No exponga un CD a la luz solar directa o fuentes de calor.

### Cuidados de las cintas

Guarde las cintas en sus cajas después de utilizarlas. No las deje cerca de imanes, motores, televisores o cualquier otra fuente de magnetismo. No exponga las cintas a la luz solar directa, ni las deje en el interior de un automóvil estacionado bajo la luz solar directa.

## Solución de problemas

Si su unidad no funciona correctamente, compruebe los puntos siguientes y las secciones pertinentes del manual de instrucciones.

En primer lugar, compruebe que el cable de alimentación de CA está conectado firmemente y que los altavoces están conectados correctamente y firmemente.

*Si el problema persiste, consulte a su distribuidor Aiwa más cercano.*

### General

#### No hay sonido.

- ¿Están conectados correctamente los cables de los altavoces y el cable de alimentación de CA?
- Gire VOLUME en el sentido horario y manténgalo.
- Los auriculares están conectados.
- Inserte sólo el trozo de cable desnudo del altavoz en el terminal SPEAKER. Si inserta el trozo de vinilo del cable del altavoz dificultará las conexiones del altavoz.

#### La unidad se apaga repentinamente.

- Posiblemente haya un cortocircuito en los terminales de los altavoces. Desconecte el cable de alimentación de CA de la toma de la pared y vuelva a conectar correctamente los cables de los altavoces. Después de un tiempo, enchufe el cable de alimentación de CA en el tomacorriente de la pared.

#### La iluminación de la unidad se apaga cuando se apaga la unidad.

- Está activado el modo ECO (Consulte "Modo ECO" en la página 31).

#### Pantalla errónea.

- Reponga la unidad (Consulte "Reposición de la unidad" en la página 43).

#### Hay muchas interferencias o ruido.

- Un televisor o VCR está colocado demasiado cerca del sistema estéreo. Aleje el sistema estéreo del televisor o VCR.

#### El reloj no muestra la hora correcta.

- Hubo una interrupción en la alimentación. Ajuste de nuevo el reloj y el temporizador.

#### El ajuste del reloj/preajuste de la radio/temporizador se cancelan.

- El cable de alimentación de CA está desconectado o se ha producido un corte en el suministro eléctrico de más de medio día.  
Haga lo siguiente:
  - "Puesta en hora del reloj" en la página 31
  - "Preajuste de emisoras" en la página 34Si ha ajustado el temporizador, vuelva a "Reproducción/grabación con temporizador" en la página 40 y 41.

#### El temporizador no funciona.

- Ajuste el reloj correctamente.
- Cuando utilice el temporizador de apagado, la reproducción/grabación con temporizador no encenderá la unidad hasta que se apague el temporizador de apagado.

#### El control remoto no funciona.

- Hay un obstáculo entre el control remoto y la unidad.
- El control remoto no apunta en la dirección en el sensor remoto de la unidad.
- Las pilas se han acabado. Reemplace las pilas.

## Altavoces

#### El sonido procede de un canal o el volumen derecho e izquierdo está desequilibrado.

- Chequee la conexión de los altavoces y la colocación de los altavoces.

#### Falta de graves en el sonido.

- Compruebe que los terminales  $\oplus$  y  $\ominus$  del altavoz están conectados correctamente.

## **Reproductor CD**

### **El compartimiento de discos no se cierra.**

- El CD no está colocado correctamente.

### **El sonido se entrecorta.**

- La lente está sucia. Límpiela con un aerosol disponible en comercios.

### **El CD no se reproduce.**

- El CD no está bien colocado en el compartimiento de discos.
- El CD está sucio.
- El CD está cargado con la etiqueta hacia abajo.
- Se ha acumulado condensación de humedad. Retire el CD y deje el sistema encendido alrededor de una hora hasta que se evapore la humedad.

## **Pletina**

### **La cinta no graba.**

- No hay cinta en la pletina B.
- Se ha retirado la lengüeta de protección de la cinta de casete.
- La cinta de protección se ha hundido hasta el fondo.

### **La cinta no se graba ni se reproduce o disminuye el nivel del sonido.**

- Los cabezales están sucios. Límpielos (consulte "Para limpiar los cabezales magnetofónicos" en la página 42).
- Los cabezales de grabación/reproducción están magnetizados. Desmagnetícelos (consulte "Para desmagnetizar los cabezales magnetofónicos" en la página 42).

### **La cinta no funciona.**

- ¿Está la pletina en modo de pausa?

### **La cinta no se borra completamente.**

- Los cabezales de grabación/reproducción están magnetizados. Desmagnetícelos (consulte "Para desmagnetizar los cabezales magnetofónicos" en la página 42).

### **Hay excesiva fluctuación y trémolo, o el sonido se entrecorta.**

- Los cabrestantes o rodillos están sucios. Límpielos (consulte "Para limpiar los cabezales magnetofónicos" en la página 42).

### **El ruido aumenta o se borran las frecuencias de agudos.**

- Los cabezales de grabación/reproducción están magnetizados. Desmagnetícelos (consulte "Para desmagnetizar los cabezales magnetofónicos" en la página 42).

### **Defectuoso sonido de la cinta.**

- Utilice cintas TYPE I (normal).

## **Sintonizador**

### **Se oye ruido o la recepción es débil.**

- Compruebe las conexiones de la antena.
- Para FM, mueva la antena de FM para reducir el ruido.
- Para AM, reoriente la antena de AM para reducir el ruido.
- Aleje la unidad y las antenas de otros aparatos y cables eléctricos.

## **Reposición de la unidad**

Si se produce una condición anormal en la pantalla o en la pletina de casete, reponga la unidad de la forma siguiente:

1 Pulse POWER para desconectar la alimentación.

Si la alimentación no puede desconectarse, desconecte el cable de alimentación de CA y, a continuación, vuelva a conectarlo.

2 Mantenga pulsado ■ y pulse POWER.

Todo lo que haya sido almacenado en la memoria después de la adquisición de la unidad se borrará.

## Especificaciones

### UNIDAD PRINCIPAL CX-JN5

#### SINTONIZADOR

Rango de sintonización FM	87,5 MHz a 108 MHz
Sensitividad útil para FM (IHF)	13,2 dBf
Terminal para antena de FM	75 ohmios(desequilibrados)
Rango de sintonización de AM	530 kHz a 1710 kHz (pasos de 10 kHz) 531 kHz a 1710 kHz (pasos de 9 kHz)
Sensitividad útil para AM	350 µV/m
Antena AM	Antena de bucle

#### AMPLIFICADOR

Salida	96 W + 96 W (40 Hz - 20 kHz, distorsión armónica total - DAT inferior a 1%, 6 ohmios) 120 W + 120 W (1 kHz, distorsión armónica total - DAT inferior a 10%, 6 ohmios)
Distorsión armónica total	0,08% (45 W, 1 kHz, 6 ohmios)
Entrada	VIDEO/AUX: 400 mV
Salidas	SPEAKERS: 6 ohmios más PHONES: 32 ohmios o más

#### PLATINA DE CASETES

Formato de la pista	4 pistas, 2 canales estéreo
Respuesta de frecuencia	50 Hz - 8 kHz
Sistema de grabación	Preferencia CA
Cabezales	Platina A: reproducción × 1 Platina B: reproducción/ grabación × 1, borrado × 1

### REPRODUCTOR DE DISCOS COMPACTOS

Láser	Semiconductor láser ( $\lambda = 780 \text{ nm}$ )
	Duración de la emisión: continua
Convertidor D/A	1 bit doble
Relación señal/ruido	85 dB (1 kHz, 0dB)
Distorsión armónica	0,05% (1 kHz, 0 dB)

#### GENERAL

Requisitos de potencia	120 V CA, 60 Hz
Consumo	100 W
Consumo en modo de espera	Con modo ECO activado: 0,25 W Con modo ECO desactivado: 20 W
Dimensiones (An × Al × Lg)	280 × 330 × 392.5 mm
Peso	8 kg

### ALTAVOCES FRONTALES SX-JN5

Sistema de altavoces	3 vías, reflejo de graves
Unidad del altavoz	Realizador de subgraves: 140 mm, cono x 2 Realizador de agudos: 60 mm, cono Superrealizador de agudos: 20 mm, cerámico
Impedancia	6 ohmios
Dimensiones (An × Al × Lg)	298 × 327 × 278 mm
Peso	5,1 kg

### Accesorios suministrados

Mando a distancia (1)
Pilas (2)
Antena FM (1)
Antena AM (1)

Las especificaciones y la apariencia externa están sujetos a modificaciones sin previo aviso.

### COPYRIGHT

Compruebe que las leyes de derechos de autor en relación a la grabación de discos, sintonizador o cintas en el país en el que vaya a utilizarse la unidad.

Bajo licencia de BBE Sound Inc. registrado como USP4638258, 5510752 y 5736897.

